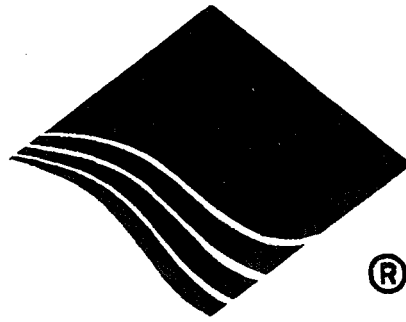


Purchasing Dept  
Copy



**HIGHLEAD**

**HLY-18B/M**

**Automatic Pocket Welting Machine**

# **Parts Catalog**

**SHANGHAI HUIGONG NO.3 SEWING MACHINE FACTORY**

From the library of: Superior Sewing Machine & Supply LLC

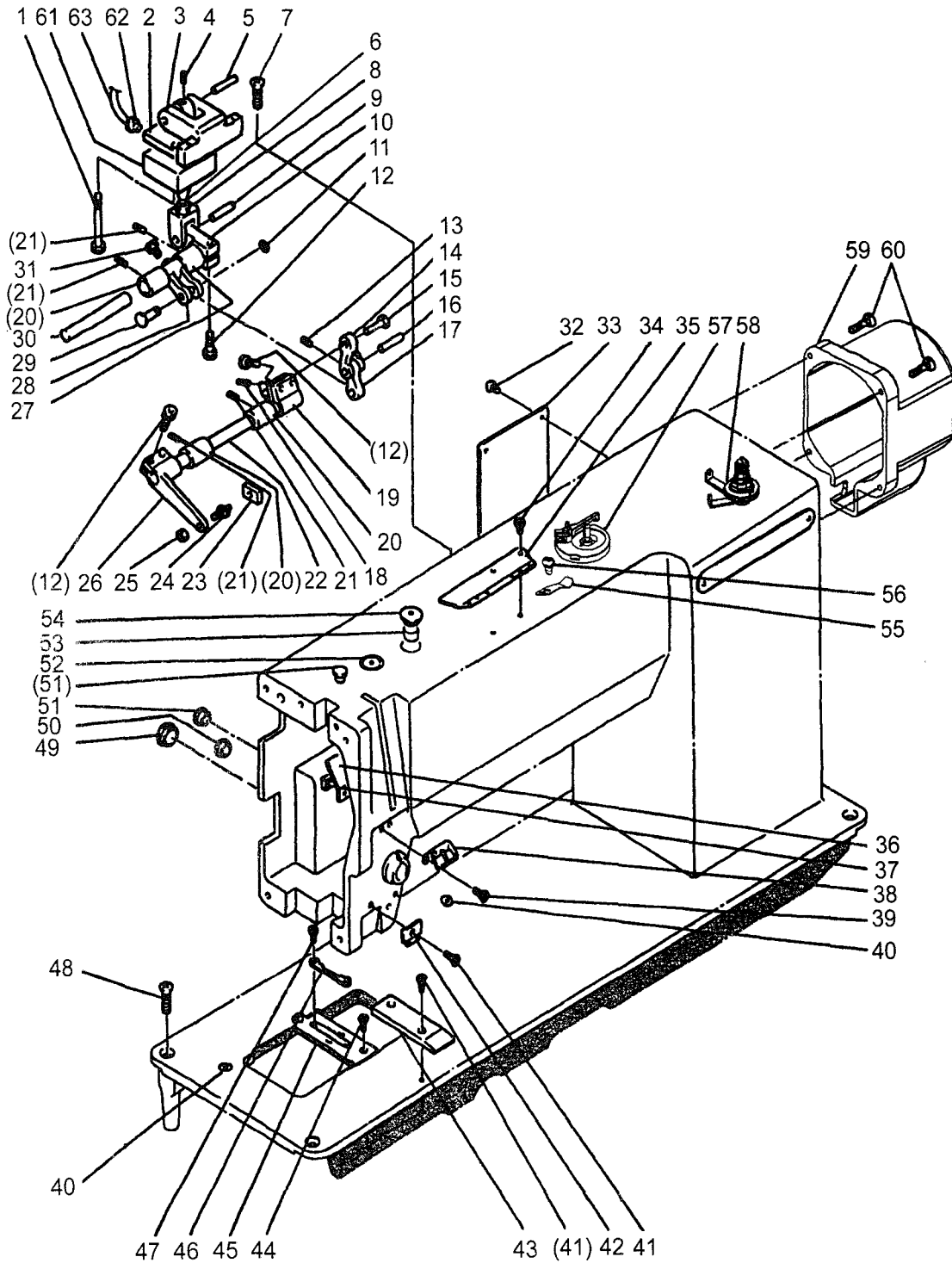


--- INDEX ---

1. ARM BED MECHANISM	1
2. THREAD TENSION REGULATOR MECHANISM	4
3. ARM SHAFT*LOWER SHAFT MECHANISM	6
4. UPPER THREAD*CENTER KNIFE MECHANISM	9
5. HOOK SADDLE MECHANISM(LEFT)	12
6. HOOK SADDLE MECHANISM(RIGHT)	15
7. LOWER THREAD TRIMMER MECHANISM	18
8. FACE PLATE MECHANISM(1)	20
9. FACE PLATE MECHANISM(2)	22
10. MAIN CLAMP MECHANISM	24
11. TAB KNIFE MECHANISM	27
12. MAIN CLAMP MOVING MECHANISM(1)	29
13. MAIN CLAMP MOVING MECHANISM(2)	32
14. TABLE*STAND MECHANISM	34
15. FOOT PEDAL MECHANISM	37
16. PNEUMATIC*CONTROL MECHANISM	39
17. OPERATION BOX MECHANISM	41
18. STACKER MECHANISM	43
19. ACCESSORIES	45
<b>Gauge Parts List</b>	<b>47</b>



# A.ARM BED MECHANISM



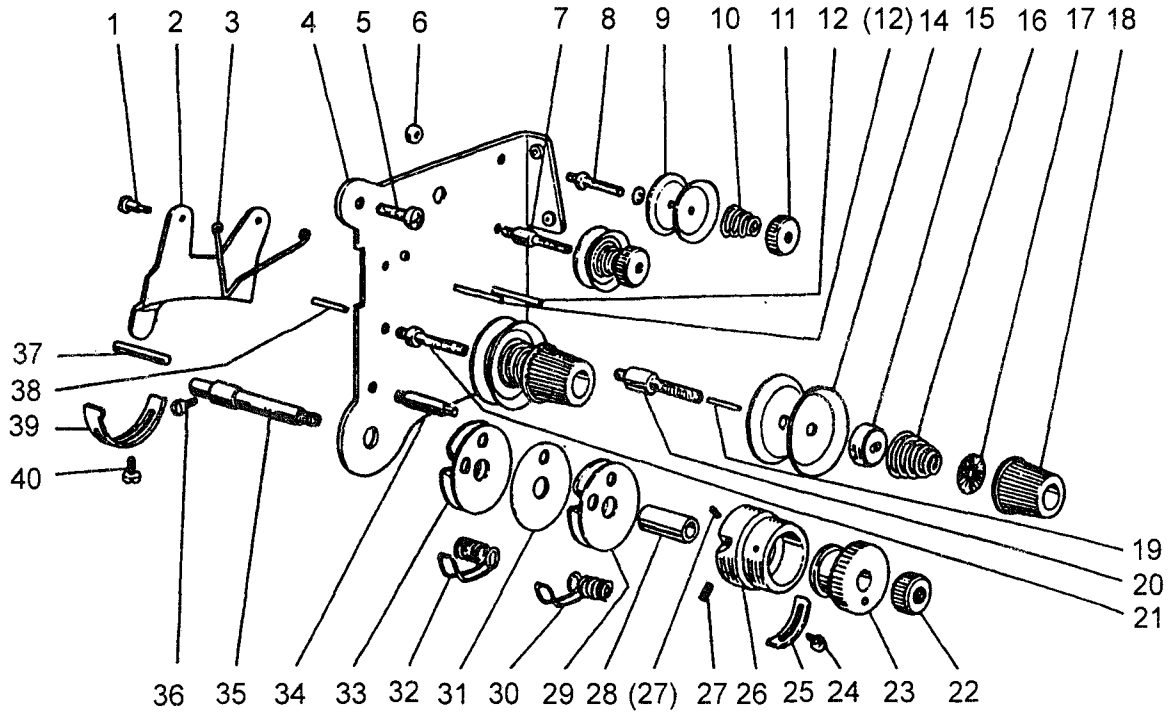
# A.ARM BED MECHANISM

Fig. No.	Part No.	Description	HL Y-18B	HL Y-18M	Remarks
A01	H415060120	Bolt	4	4	GB/T70.1 M6×12
A02	HD413B8001	Set plate (for cylinder)	1	1	
A03	HD414B8001	Base (for Fig.A2)	1	1	
A04	H431030040	Screw	2	2	GB/T80 M3×4
A05	H604100350	Set pin	1	1	GB/T119.1 10×35
A06	H431080300	Screw	1	1	GB/T80 M8×30
A07	H415060140	Bolt	2	2	GB/T70.1 M6×14
A08	HD418B8001	Supporting bracket	1	1	
A09	HD419B8001	Set pin	1	1	
A10	HD432B8001	Arm2	1	1	
A11	H007013060	E-type retaining ring	1	1	GB/T896 6
A12	H415060160	Bolt	5	5	GB/T70.1 M6×16
A13	H431050050	Screw	1	1	GB/T80 M5×5
A14	HD428B8001	Connecting link3	1	1	
A15	HD429B8001	Link pin3	1	1	
A16	HD426B8001	Link pin2	1	1	
A17	HD425B8001	Connecting link2	1	1	
A18	H431060050	Screw	1	1	GB/T80 M6×5
A19	HD420B8001	Arm1	1	1	
A20	H4707E8001	Bushing (left)	3	3	
A21	HA100B2110	Screw	4	4	11/64"(40)×5.5
A22	HD433B8001	Shaft2	1	1	
A23	HD437B8001	Squar brock	1	1	
A24	HD436B8001	Pin screw	1	1	
A25	H4940L8001	Nut	1	1	15/64"(28)×4
A26	HD435B8001	Operating arm	1	1	
A27	HD422B8001	Bushing (right)	1	1	
A28	HD423B8001	Connecting link1	1	1	
A29	HD424B8001	Link pin1	1	1	
A30	HD421B8001	Shaft1	1	1	
A31	H415050100	Screw	1	1	GB/T70.1 M5×10
A32	HA300B2170	Screw	4	4	11/64"(40)×8
A33	H3200B2040	Rear cover	1	1	
A34	HA700B2060	Screw	2	2	11/64"(40)×8
A35	H2400B2100	Thread guide	1	1	
A36	H2400B2050	Oil guard plate	1	1	
A37	H2400B2060	Spacer	1	1	
A38	H2400B2070	Thread guide	1	1	
A39	H2400B2080	Screw	2	2	3/16"(28)×11.2
A40	H2000M0090	Oil cap	2	2	
A41	H411030050	Screw	3	3	GB/T819.1 M3×5
A42	HD438B8001	Thread guide	1	1	
A43	HD439B8001	Support plate	1	1	

# A.ARM BED MECHANISM

Fig. No.	Part No.	Description	HL Y-18B	HL Y-18M	Remarks
A44	HE607H8001	Screw	2	2	11/64"(40)×8
A45	HD440B8001	Needle plate	1	1	
A46	HD441B8001	Accept knife	1	1	
A47	H32111D304	Screw	2	2	SM3/32"(56)×4
A48	H411050150	Screw	4	4	GB/T819.1 M5×15
A49	H4715B8001	Rubber plug	1	1	φ 13
A50	H4735B8001	Rubber plug	1	1	φ 22
A51	HA300B2090	Rubber plug	2	2	φ 8.8
A52	H2003M0067	Oil cap	1	1	
A53	H2400J2020	Oil wick	1	1	
A54	H2400J2010	Oil cap	1	1	
A55	H6756B8001	cut plate	1	1	
A56	HA500C2070	Screw	2	2	9/64"(40)×5
A57	H6704N7101	Bobbin complete	1	1	
A58	H7014D7101	Down-lead complete	1	1	
A59	HD443B8001	Electromotor mantle	1	1	
A60	H415050180	Screw	4	4	GB/T70.1 M5×18
A61	HD415B8001	Air cylinder	1	1	CDQ2B32-6D
A62	HD416B8001	Joint	2	2	KJH06-01S
A63	HD417B8001	Tube	2	2	TU0604B-100

# B.THREAD TENSION REGULATOR MECHANISM

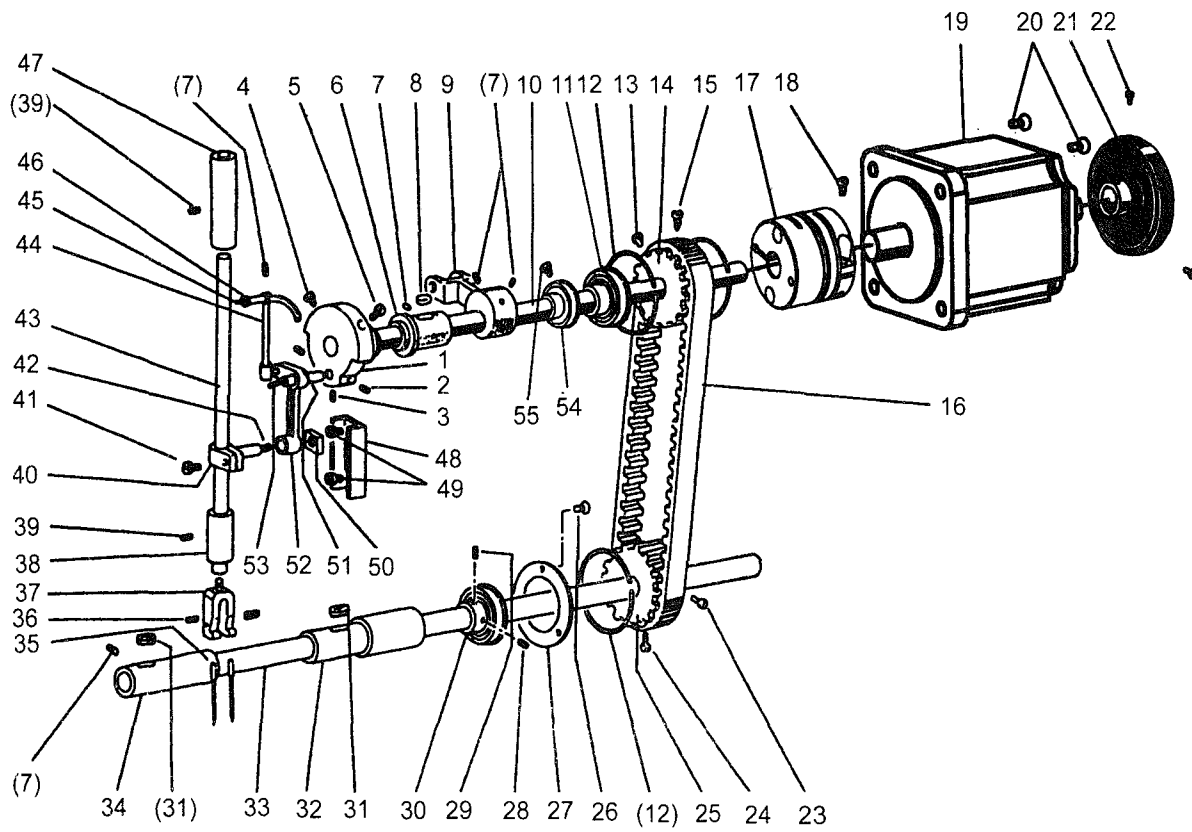




## B.THREAD TENSION REGULATOR MECHANISM

Fig. No.	Part No.	Description	HLY-18B	HLY-18M	Remarks
B01	H3221B6811	Screw	2	2	9/64"(40)
B02	H3221B3142	Tention regulator plate	1	1	
B03	H3221B6812	Tention regulator spring	1	1	
B04	H3221B6820	Mouning plate	1	1	
B05	HA300C2030	Screw	2	2	11/64"(40)×8
B06	H3221B6810	Nut	2	2	11/64"(40)×3
B07	H3221B0685	Tention stud	1	1	
B08	H3221B0683	Tention stud	1	1	
B09	HA112B0693	Tention disc	4	4	
B10	H3221B0684	Spring	2	2	
B11	HA710B0671	Thumb nut	2	2	11/64"(40)
B12	H3221B0682	Pin	2	2	
B14	HA310B0705	Tention disc	4	4	
B15	HA310B0702	Tention regulator plate	2	2	
B16	HA115B0703	Spring	2	2	
B17	HA115B7010	Revolution stopper	2	2	
B18	HA310B0701	Thumb nut	2	2	1/4"(40)
B19	H3221B6816	Pin	1	1	
B20	H3221B0689	Tention stud	1	1	
B21	H3221B0686	Tention stud	1	1	
B22	H32481B721	Thumb nut	1	1	1/4"(40)×4.5
B23	H32481B621	Take-up spring guide	1	1	
B24	H32481BC21	Screw	1	1	9/64"(40)×6
B25	H32481BB21	Stopper	1	1	
B26	H32481B921	Thread tention post	1	1	
B27	H32481B521	Screw	2	2	1/8"(44)×3.5
B28	H32481B821	Push	1	1	
B29	H32481BF21	Plate complete	1	1	
B30	H32481B321	Take-up spring	1	1	
B31	H32481BE21	Plate	1	1	
B32	H32481B221	Take-up spring	1	1	
B33	H32481BD21	Plate complete	1	1	
B34	H32481B421	Screw	1	1	9/64"(40)×2.9
B35	H32481B121	Tention stud	1	1	
B36	H2004J0067	Screw	1	1	9/64"(40)×7
B37	H3221B6817	Releasing pin	1	1	
B38	HD404C8001	Pin	1	1	
B39	H3200B2100	Screw	1	1	9/64"(40)×6.5
B40	H3221B6819	Stopper	1	1	

# C.ARM SHAFT\*LOWER SHAFT MECHANISM



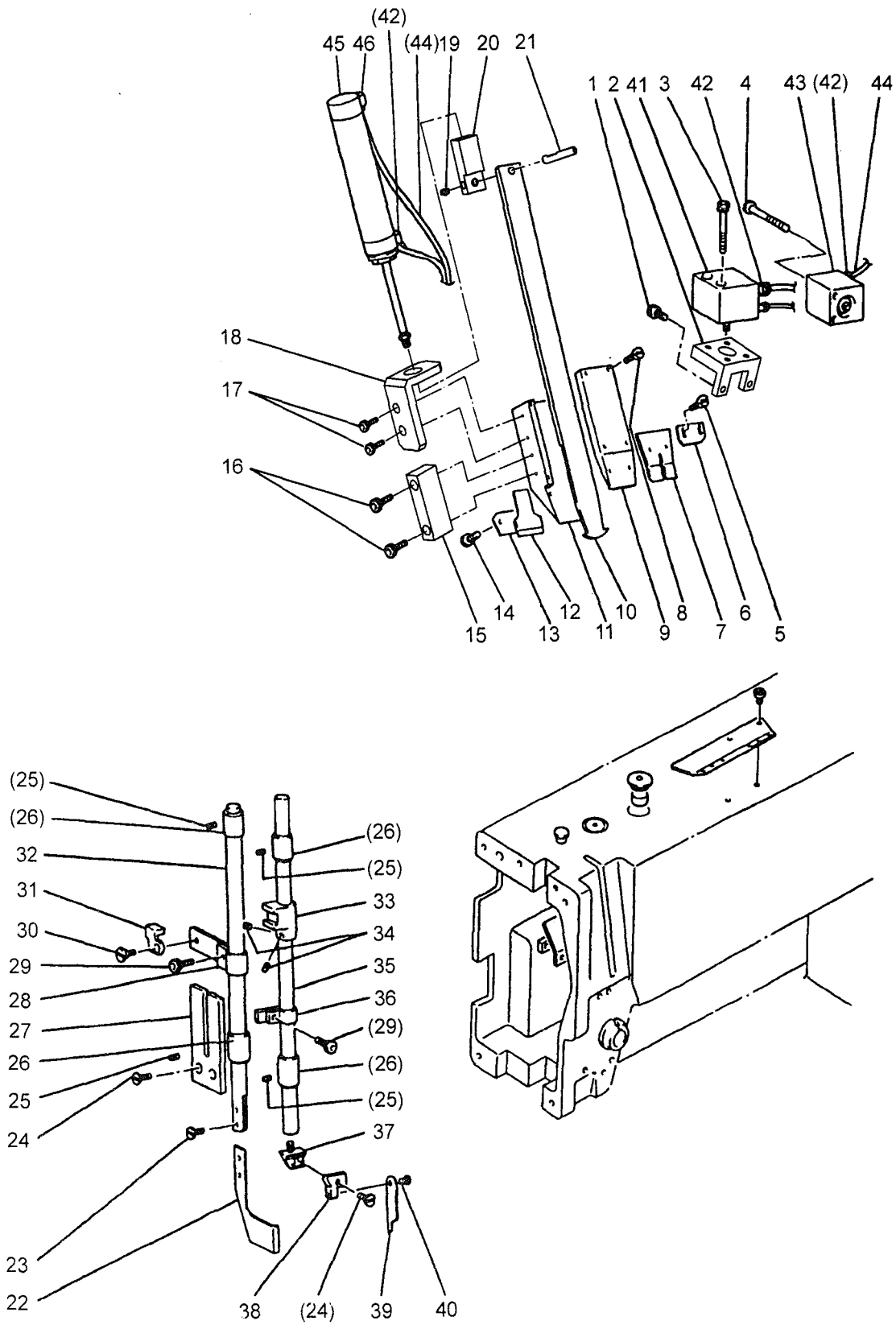
## C.ARM SHAFT\*LOWER SHAFT MECHANISM

Fig. No.	Part No.	Description	HLY-18B	HLY-18M	Remarks
C01	H33121C104	Crank	1		
C01	H32121C104	Crank		1	
C02	HA307C0662	Screw	1	1	1/4"(40)×6
C03	HA105D0662	Screw	1	1	1/4"(40)×4
C04	HA100C2070	Screw	1	1	9/32(28)×14
C05	HA100C2060	Screw	1	1	9/32(28)×13
C06	H32111B204	Arm shaft bushing(left)	1	1	
C07	H431060060	Screw	5	5	GB/T80 M6×6
C08	H32111B104	Felt	1	1	
C09	HD404D7101	Feed connection	1	1	
C10	HD407D8001	Arm shaft	1	1	
C11	HD408D7101	Bearing complete	1	1	
C12	H3205C0661	Spring flange	3	3	
C13	HA113F0684	Screw	1	1	15/64(28)×8.5
C14	H3205C1021	Pulley (upper)	1	1	
C15	HA100F2130	Screw	1	1	15/64(28)×14.5
C16	H3200C2030	Cog belt	1	1	
C17	HB2252C072	linker complete	1	1	
C18	H415040120	Screw	2	2	GB/T70.1 M4×12
C19	HB2255O081	Electromotor	1	1	
C20	H415050180	Screw	4	4	GB/T70.1 M5×18
C21	H8804O7101	Wheel complete	1	1	
C22	H424050080	Screw	2	2	GB/T73 M5×8
C23.24	HA104F0654	Screw	2	2	15/64(28)×10
C25	H3207C0671	Pulley (lower)	1	1	
C26	HA7311C306	Screw	3	3	9/64"(40)×7
C27	H3200H2060	Bearing holder	1	1	
C28.29	HA105D0662	Screw	2	2	1/4(40)×4
C30	H3208H0066	Bearing complete	1	1	
C31	H32132B204	Felt	2	2	
C32	H3204B0054	Lower shaft bushing (middle)	1	1	
C33	H3200H2010	Lower shaft	1	1	
C34	H3204B0032	Lower shaft bushing (left)	1	1	
C35	HD410D8001	Needle	2	2	MT190×#16
C36	H5727B8001	Screw	2	2	1/8(44)×3.4
C37	HD412D8001	Needle clamp	1	1	
C38	HD413D8001	Needle bar bushing (lower)	1	1	
C39	H424050080	Screw	2	2	GB/T73 M5×8
C40	H32111D504	Needle bar holder	1	1	
C41	H32111D604	Screw	1	1	9/64"(40)×8.5
C42	H3204D6513	Oil wick	1	1	
C43	H32111D404	Needle bar	1	1	
C44	H3504B0651	Thread take-up lever complete	1		

## C.ARM SHAFT\*LOWER SHAFT MECHANISM

Fig. No.	Part No.	Description	HLY-18B	HLY-18M	Remarks
C44	H32411C108	Thread take-up lever complete		1	
C45	H2405D1122	Oil wick	1	1	
C46	H2405D1121	Bracket pin	1		
C46	H32422C108	Bracket pin		1	
C47	HD417D8001	Needle bar bushing (upper)	1	1	
C48	HD415D8001	Crank guide	1	1	
C49	HA111G0683	Screw	2	2	11/64(40)×12
C50	HD416D8001	Square block	1	1	
C51	H2405D0662	Crank pin	1	1	
C52	H32111D704	Connecting link	1	1	
C53	H2405D0663	Oil wick	1	1	
C54	H7005D8001	Sleeve	1	1	
C55	HA110D0672	Screw	2	2	15/64(28)×12

# D.UPPER THREAD\*CENTER KNIFE MECHANISM



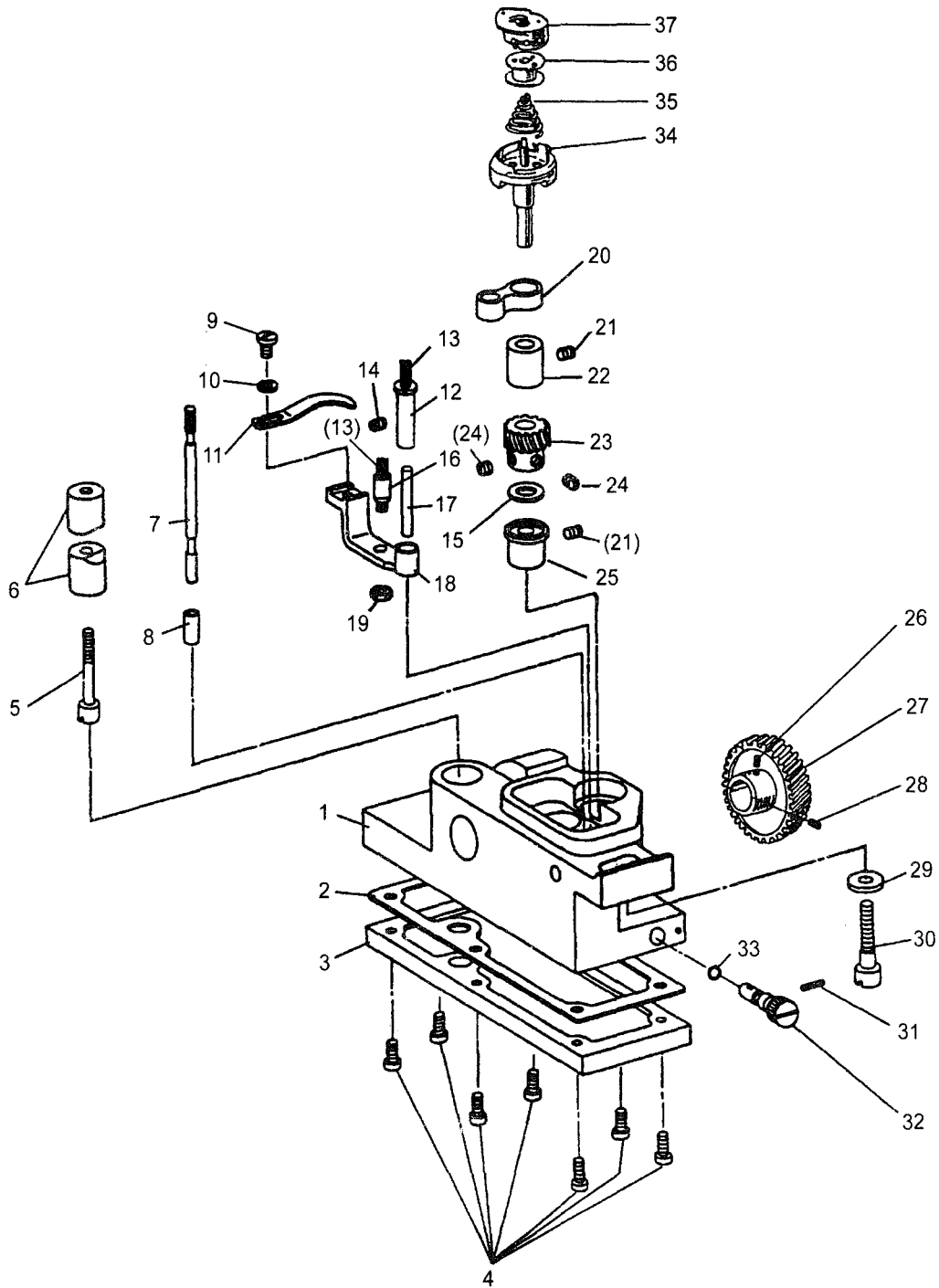
## D.UPPER THREAD\*CENTER KNIFE MECHANISM

Fig. No.	Part No.	Description	HLV-18B	HLV-18M	Remarks
D01	H415030120	Screw	2	2	GB/T70.1 M3×12
D02	HD442E8001	Set plate (for cylinder)	1	1	
D03,04	H415030250	Screw	4	4	GB/T70.1 M3×25
D05	H415030050	Screw	2	2	GB/T70.1 M3×5
D06	HD412E8001	Support spring	1	1	
D07	HD413E8001	Spring for upper thread	1	1	(9-12mm)
D08	H415030200	Screw	4	4	GB/T70.1 M3×20
D09	HD407E8001	Cover	1	1	
D10	HD414E8001	Pic-up for upper thread	1	1	(9-12mm)
D11	HD406E8001	Base(for Fig.D10)	1	1	
D12	HD410E8001	Knife for upper thread	1	1	(9-12mm)
D13	HD411E8001	Set plate (for Fig.D12)	1	1	
D14	H415040060	Screw	2	2	GB/T70.1 M4×6
D15	HD404E8001	Spacer	1	1	
D16	H415050300	Screw	2	2	GB/T70.1 M5×30
D17	H415050100	Screw	2	2	GB/T70.1 M5×10
D18	HD409E8001	Set plate (for cylinder)	1	1	
D19	H428040040	Screw	1	1	GB/T77 M4×4
D20	HD415E8001	Square block	1	1	
D21	HD416E8001	Pin	1	1	
D22	HD425E8001	Guide for center knife	1	1	
D23	H3200E2020	Screw	2	2	1/8(44)×9
D24	HA700B2060	Screw	3	3	11/64(40)×8
D25	H424050080	Screw	4	4	GB/T73 M5×8
D26	HD417D8001	Bushing	4	4	
D27	HD427E8001	Guide for center knife bar	1	1	
D28	HD428E8001	Vibration stopper	1	1	
D29	H415050100	Screw	2	2	GB/T70.1 M5×10
D30	HD430E8001	Screw	1	1	3/16(32)×6
D31	HD429E8001	Bracket	1	1	
D32	HD424E8001	Bar for center knife guide	1	1	
D33	HD432E8001	Holder	1	1	
D34	H431050050	Screw	2	2	GB/T80 M5×5
D35	HD431E8001	Bar for center knife	1	1	
D36	HD433E8001	Vibration stopper	1	1	
D37	HD434E8001	Base for center knife1	1	1	
D38	HD435E8001	Base for center knife2	1	1	
D39	HD436E8001	Center knife	1	1	
D40	H3215K0693	Screw	1	1	9/64(40)×5
D41	HD438E8001	Air cylinder	1	1	CQ2B12-3DM
D42	HD423E8001	Joint	4	4	KJH04-M5
D43	HD422E8001	Air cylinder	1	1	CQ2B12-5S
D44	HD420E8001	Tube	5	5	TU0425B-100

**D.UPPER THREAD\*CENTER KNIFE MECHANISM**

Fig. No.	Part No.	Description	HLY-18B	HLY-18M	Remarks
D45	HD417E8001	Air cylinder	1	1	CDJ2B16-50-B
D46.47	HD418E8001	Joint elbow	2	2	AS1201F-M5-04

# E.HOOK SADDLE MECHANISM(LEFT)





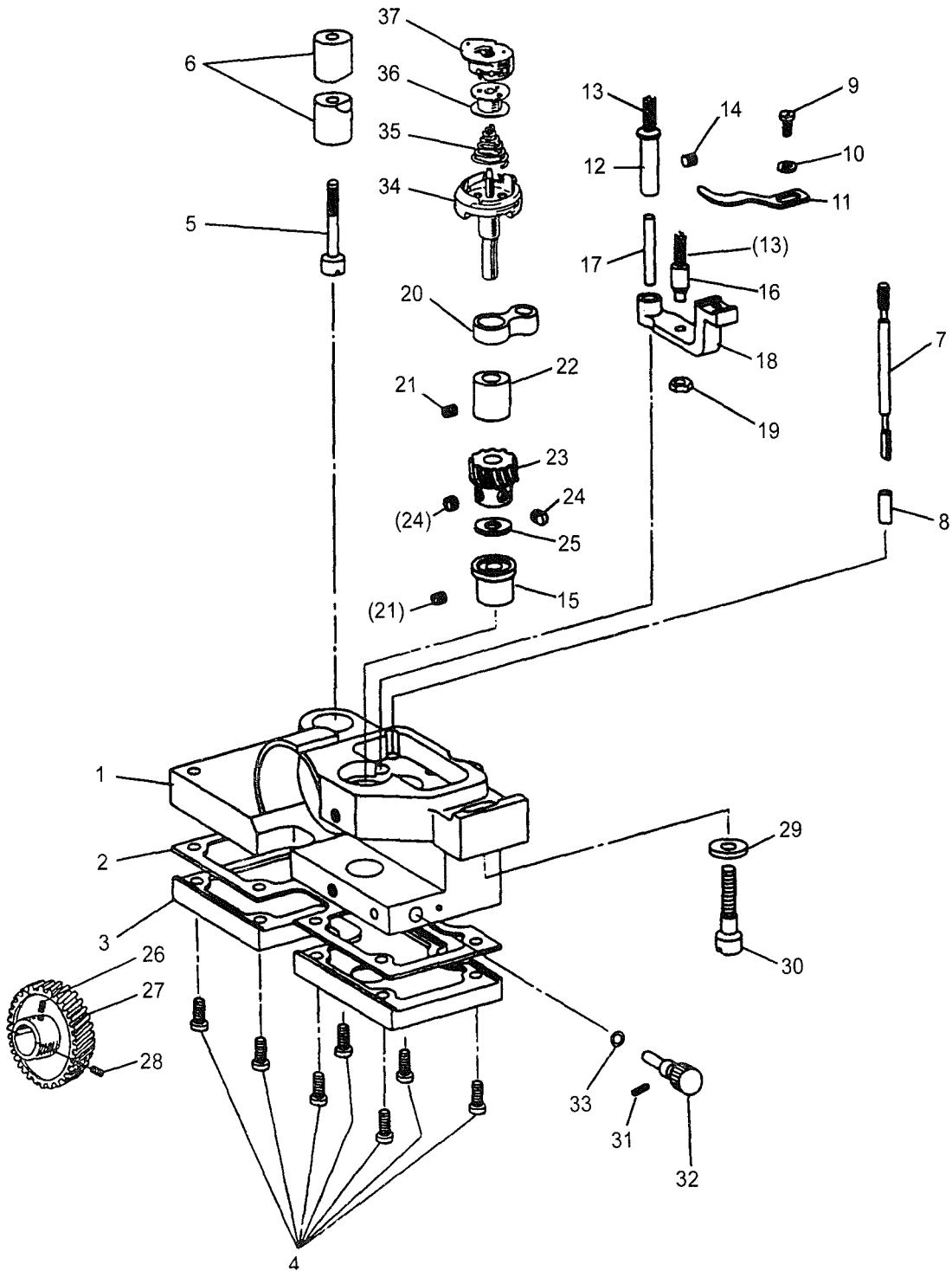
## E.HOOK SADDLE MECHANISM(LEFT)

Fig. No.	Part No.	Description	HLY-18B	HLY-18M	Remarks
E01	HD405F8001	Hook saddle(left)	1		
E01	HH105F8001	Hook saddle(left)		1	
E02	HE005J8001	Washer	1	1	
E03	HE052J8001	Cover(left)	1	1	
E04	HE017B8001	Screw	7	7	SM9/64"(40)×10
E05	H3207I0661	Screw	1	1	15/64(28)×30
E06	H3207I0662	Pinch sleeve	1	1	
E07	HE038J8001	Oil gauge	1	1	
E08	HE039J8001	Oil gauge guide tube	1	1	
E09	H2004J0067	Screw	1	1	9/64(40)×7
E10	H3200I2030	Washer	1	1	
E11	H3305I0066	Bobbin case lever	1		
E11	H2200I2020	Bobbin case lever		1	
E12	HE021J8001	Opener lever hinge stud	1	1	
E13	HE018J8001	Oil wick	2	2	
E14	H3204I0657	Screw	1	1	3/16(28)×14.5
E15	H33121I204	Washer	1		
E15	H32121I304	Washer		1	
E16	H32153I204	Opener lever driving screw stud	1	1	3/16(32)×7.8
E17	HE020J8001	Hinge stud oil furnishing tube	1	1	
E18	H33131I104	Bobbin case opener lever	1		
E18	H32153I104	Bobbin case opener lever		1	
E19	HA104G0658	Nut	1	1	3/16(32)×3.5
E20	H33131I204	Bobbin case lever link	1		
E20	H32153I304	Bobbin case lever link		1	
E21	HA305E0662	Screw	2	2	15/64(28)×4.5
E22	H33121I104	Bushing (upper)	1		
E22	H3404I0011	Bushing (upper)		1	
E23	H32142I204	Hook driving pinion(spiral)	1	1	
E24	HA105D0662	Screw	3	3	1/4(40)×4
E25	H3204I0653	Bushing (lower)	1	1	
E26	HA307C0662	Screw	1	1	1/4"(40)×6
E27	H32142I104	Hook driving pinion(spiral)	1	1	
E28	H3204I6510	Screw	1	1	1/4(40)×6.5
E29	H2013J0065	Washer	1	1	
E30	H3200I2050	Screw	1	1	1/4(24)×23
E31	HE045G8001	Screw	1	1	SM1/8"(40)×8
E32	HE040J8001	Oil regulating screw	1	1	
E33	HE041J8001	O-ring	1	1	
E34	H3505I0065	Hook complete	1		
E34	H3406I0067	Hook complete		1	
E35	H4922I8001	Spring	1	1	
E35	H6906H8001	Spring	1	1	

# E.HOOK SADDLE MECHANISM(LEFT)

Fig. No.	Part No.	Description	HLY-18B	HLY-18M	Remarks
E36	H4912I8001	Bobbin	1		
E36	H6907H8001	Bobbin		1	
E37	H3505I0651	Bobbin case	1		
E37	H3406I0671	Bobbin case		1	

# F.HOOK SADDLE MECHANISM(RIGHT)



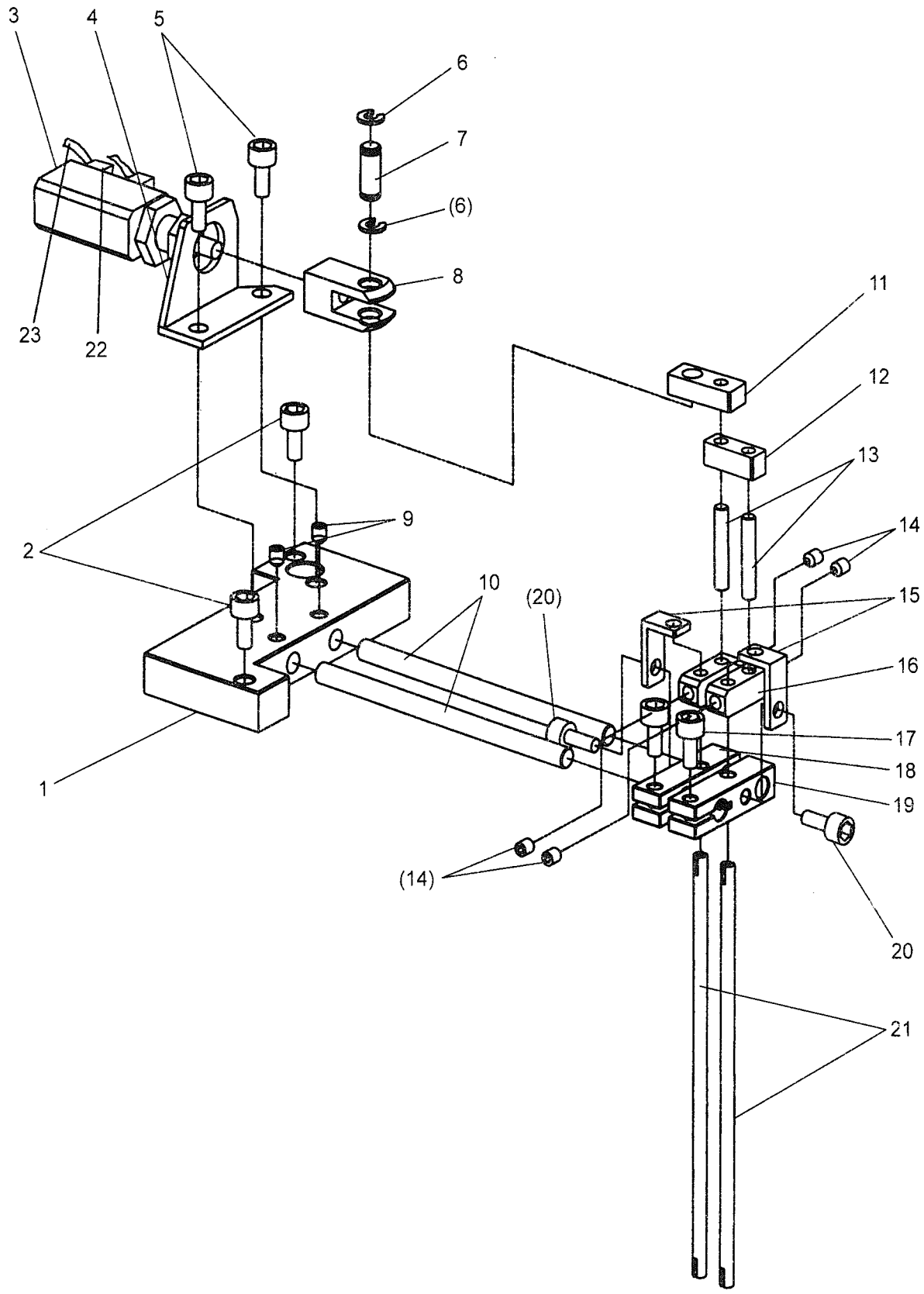
## F.HOOK SADDLE MECHANISM(RIGHT)

Fig. No.	Part No.	Description	HLY-18B	HLY-18M	Remarks
F01	HD407F8001	Hook saddle(right)	1		
F01	HH107F8001	Hook saddle()		1	
F02	HE005J8001	Washer	1	1	
F03	HD408F8001	Cover(left)	1	1	
F04	HE017B8001	Screw	7	7	9/64"(40)×10
F05	H3207I0661	Screw	1	1	15/64"(28)×30
F06	H3207I0662	Pinch sleeve	1	1	
F07	HE038J8001	Oil gauge	1	1	
F08	HE039J8001	Oil gauge guide tube	1	1	
F09	H2004J0067	Screw	1	1	9/64"(40)×7
F10	H3200I2030	Washer	1	1	
F11	H3305I0066	Bobbin case lever	1		
F11	H2200I2020	Bobbin case lever		1	
F12	HE021J8001	Opener lever hinge stud	1	1	
F13	HE018J8001	Oil wick	2	2	
F14	H3204I0657	Screw	1	1	3/16"(28)×14.5
F15	H33121I204	Washer	1		
F15	H32121I304	Washer		1	
F16	H32153I204	Opener lever driving screw stud	1	1	3/16"(32)×7.8
F17	HE020J8001	Hinge stud oil furnishing tube	1	1	
F18	H33131I104	Bobbin case opener lever	1		
F18	H32153I104	Bobbin case opener lever		1	
F19	HA104G0658	Nut	1	1	3/16"(32)×3.5
F20	H33131I204	Bobbin case lever link	1		
F20	H32153I304	Bobbin case lever link		1	
F21	HA305E0662	Screw	2	2	15/64"(28)×4.5
F22	H33121I104	Bushing (upper)	1		
F22	H3404I0011	Bushing (upper)		1	
F23	H32142I204	Hook driving pinion(spiral)	1	1	
F24	HA105D0662	Screw	3	3	1/4"(40)×4
F25	H3204I0653	Bushing (lower)	1	1	
F26	HA307C0662	Screw	1	1	1/4"(40)×6
F27	H32142I104	Hook driving pinion(spiral)	1	1	
F28	H3204I6510	Screw	1	1	1/4"(40)×6.5
F29	H2013J0065	Washer	1	1	
F30	H3200I2050	Screw	1	1	1/4"(24)×23
F31	HE045G8001	Screw	1	1	1/8"(40)×8
F32	HE040J8001	Oil regulating screw	1	1	
F33	HE041J8001	O-ring	1	1	
F34	H3505I0065	Hook complete	1		
F34	H3406I0067	Hook complete		1	
F35	H4922I8001	Spring	1	1	
F35	H6906H8001	Spring	1	1	

## F.HOOK SADDLE MECHANISM(RIGHT)

Fig. No.	Part No.	Description	HLY-18B	HLY-18M	Remarks
F36	H4912I8001	Bobbin	1		
F36	H6907H8001	Bobbin		1	
F37	H3505I0651	Bobbin case	1		
F37	H3406I0671	Bobbin case		1	

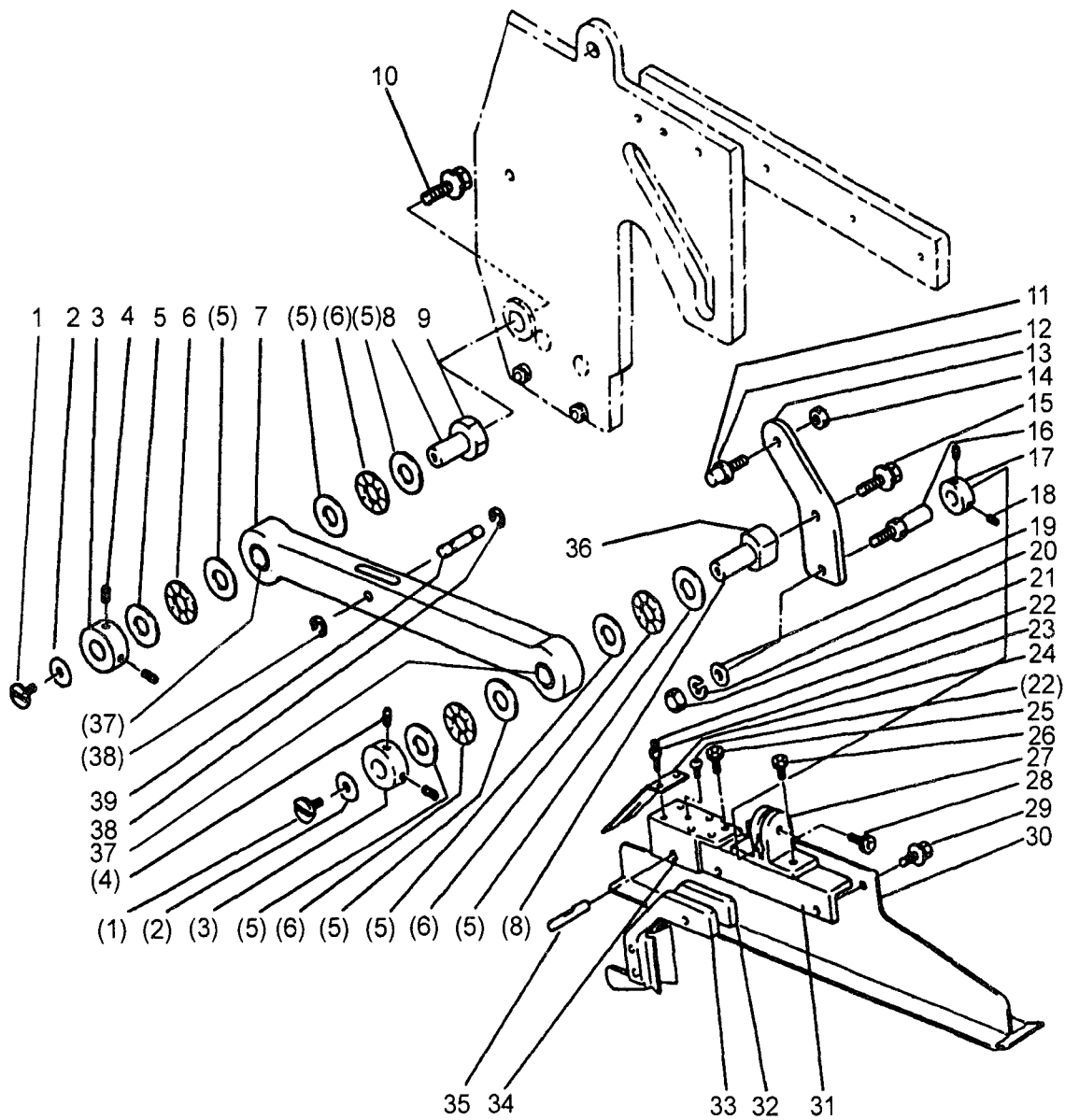
# G.LOWER THREAD TRIMMER MECHANISM



## G.LOWER THREAD TRIMMER MECHANISM

Fig. No.	Part No.	Description	HL Y-18B	HL Y-18M	Remarks
G01	HD411G8001	Set plate	1	1	
G02	H415050160	Screw	2	2	GB/T70.1 M5×16
G03	HD405G8001	Air cylinder	1	1	CJPL15-10D
G04	HD408G8001	Base	1	1	
G05	H415050100	Screw	2	2	GB/T70.1 M5×10
G06	H007013060	E-type retaining ring	2	2	GB/T896 6
G07	HD410G8001	Pin	1	1	
G08	HD409G8001	Holder	1	1	
G09	H428040040	Screw	2	2	GB/T77 M4×4
G10	HD412G8001	Stick	2	2	
G11	HD419G8001	Connecting link 2	1	1	
G12	HD417G8001	Connecting link 1	1	1	(10mm)
G13	HD418G8001	Pin	2	2	
G14	H428040040	Screw	4	4	GB/T77 M4×4
G15	HD416G8001	Shelf	2	2	
G16	HD415G8001	Connecting link	2	2	
G17	H415040100	Screw	2	2	GB/T70.1 M4×10
G18	HD413G8001	Set shelf (left)	1	1	
G19	HD414G8001	Set shelf (right)	1	1	
G20	H415040060	Screw	2	2	GB/T70.1 M4×6
G21	HD420G8001	Knife	2	2	
G22	HD406G8001	Joint	2	2	KJL04-M5
G23	HD420E8001	Tube	2	2	TU0425B-100

# H.FACE PLATE MECHANISM(1)

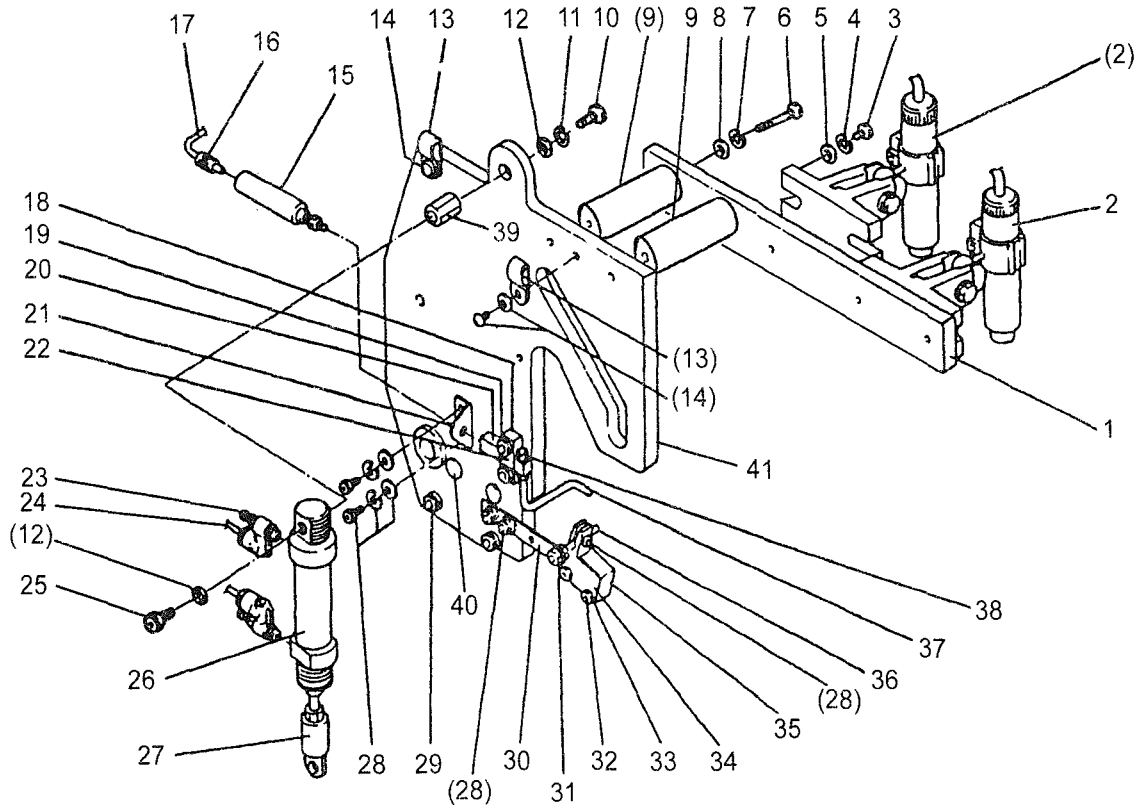




## H.FACE PLATE MECHANISM(1)

Fig. No.	Part No.	Description	HLY-18B	HLY-18M	Remarks
H01	H415060080	Screw	2	2	GB/T818 M6×8
H02	H7329C8001	Washer	2	2	5×20.5×1.5
H03	HD407H8001	Collar	2	2	
H04	H431050050	Screw	4	4	GB/T80 M5×5
H05,06	HD409H8001	Thurust bearing	4	4	AXK1102、AS1102
H07	HD405H8001	Driving arm	1	1	
H08	HD411H8001	Support pin 1	2	2	
H09	HD412H8001	Bushing 1	1	1	
H10	H415080400	Screw	1	1	GB/T70.1 M8×40
H11	HD419H8001	Roller pin	1	1	
H12	HD420H8001	Thurust bearing	2	2	WBC-12ZA
H13	HD417H8001	Guide arm	1	1	
H14	H003008040	Nut	1	1	GB/T6172.1 M4
H15	H415080300	Screw	1	1	GB/T70.1 M8×30
H16	HD422H8001	Pin	1	1	
H17	HD423H8001	Collar	1	1	
H18	H428040040	Screw	2	2	GB/T77 M4×4
H19	H005001080	Washer	1	1	GB/T97.1 8
H20	H005008080	Spring washer	1	1	GB/T93 8
H21	H003045080	Nut	1	1	GB/T923 M8
H22	H415030120	Screw	5	5	GB/T70.1 M3×12
H23	H003008030	Nut	4	4	GB/T6172.1 M3
H24	HD430H8001	Spring (for small presser)	1	1	
H25	H415040100	Screw	2	2	GB/T70.1 M4×10
H26	H415060100	Screw	2	2	GB/T70.1 M6×10
H27	HD426H8001	Base (upper)for patch guide	1	1	
H28	H415060140	Screw	1	1	GB/T70.1 M6×14
H29	H415050140	Screw	2	2	GB/T70.1 M5×14
H30	HD438H8001	Patch guide	1	1	10mm
H31	HD427H8001	Base (under)for patch guide	1	1	
H32	HD432H7101	Small presser complete(left)	1	1	10mm
H33	HD435H7101	Small presser complete(right)	1	1	10mm
H34	HD429H8001	Base for small presser	1	1	
H35	HD431H8001	Pin for small presser	1	1	
H36	HD414H8001	Bushing 2	1	1	
H37	HD410H8001	Thurust bearing	2	2	HMK1520 (15×21×20)
H38	H007009080	E-type retaining ring	2	2	GB/T894.1 8
H39	HD415H8001	Pin	1	1	

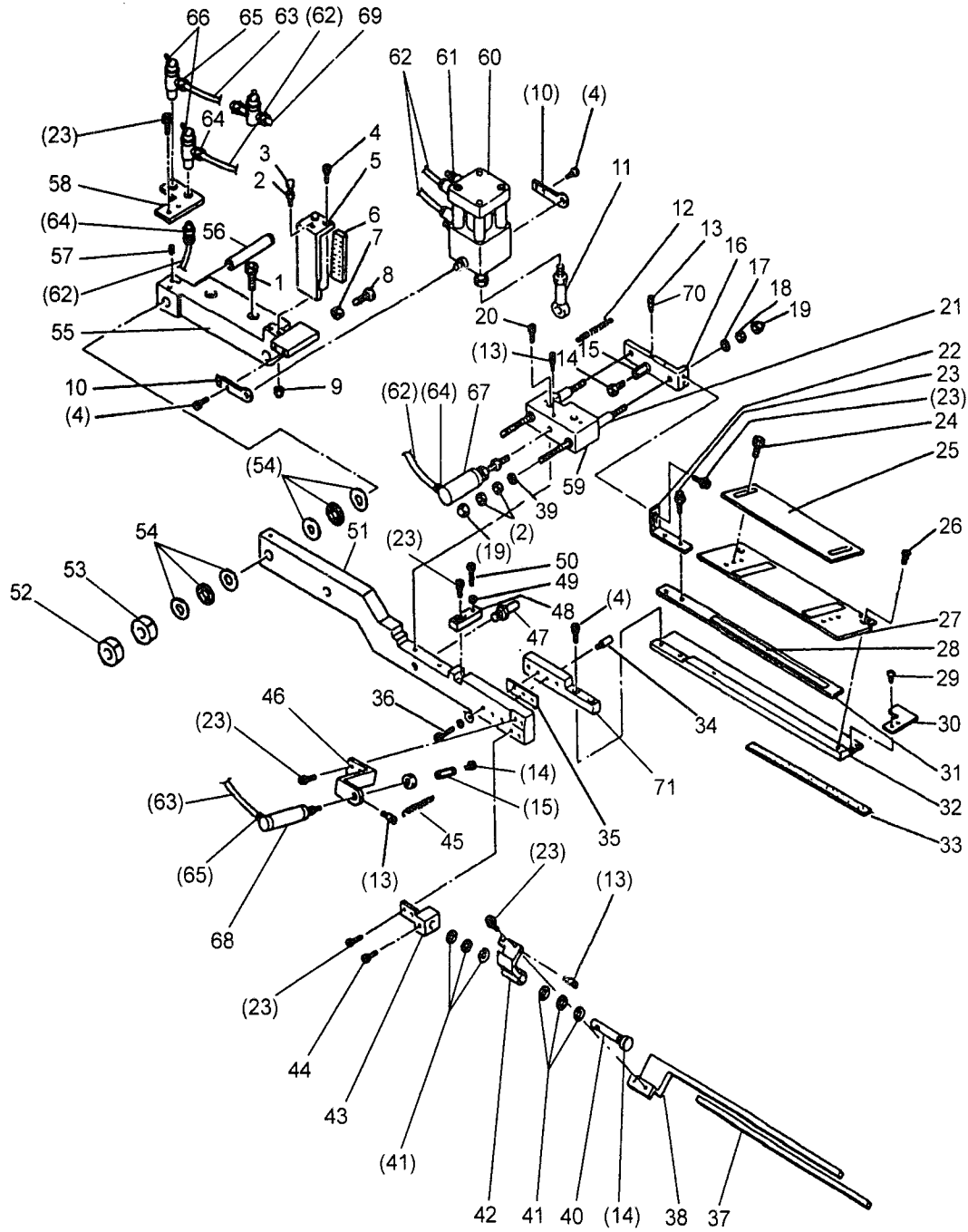
# I.FACE PLATE MECHANISM(2)



## I.FACE PLATE MECHANISM(2)

Fig. No.	Part No.	Description	HLY-18B	HLY-18M	Remarks
I01	HD42318001	Set plate for marking lamp	1	1	
I02	HD42418001	Marking lamp(2.5V)+	2	2	LED61C5-01 (+)
I03	H415050140	Screw	4	4	GB/T70.1 M5×14
I04	H005008050	Spring washer	4	4	GB/T93 5
I05	H005001050	Washer	4	4	GB/T97.1 5
I06	H415060600	Screw	2	2	GB/T70.1 M6×60
I07	H005008060	Spring washer	2	2	GB/T93 6
I08	H005001060	Washer	2	2	GB/T97.1 6
I09	HD42118001	Spacer for marking lamp	2	2	9-12mm
I10	H415080160	Screw	1	1	GB/T70.1 M8×16
I11	H005008080	Spring washer	1	1	GB/T93 8
I12	H005001080	Washer	3	3	GB/T97.1 8
I13	HA30012040	Nylon clip	3	3	NK-6N
I14	H409040100	Screw	3	3	GB/T818 M4×10
I15	HD41818001	Air cylinder	1	1	CJ2L10-15SR
I16	HD423E8001	Joint	1	1	KJH04-M5
I17	HD420E8001	Tube	1	1	TU0425B-100
I18	HD41618001	Base	1	1	
I19	H415040160	Screw	2	2	GB/T70.1 M4×16
I20	HD41518001	Bracket	1	1	
I21	HD41718001	Set plate	1	1	
I22	H005006040	Big washer	1	1	GB/T96 4
I23	HD41018001	Speed control valve	2	2	AS2301F-01-06S
I24	HD417B8001	Tube	2	2	TU0604B-100
I25	HD40718001	Screw	1	1	M6
I26	HD40918001	Air cylinder	1	1	CM2E20-35
I27	HD41218001	Holder	1	1	
I28	H415040100	Screw	6	6	GB/T70.1 M4×10
I29	H415060140	Screw	3	3	GB/T70.1 M6×14
I30	HD42618001	Base(left)	1	1	
I30	HD43118001	Base(right)	1	1	
I31	H003008050	Nut	4	4	GB/T6172.1 M5
I32	H003008030	Nut	4	4	GB/T6172.1 M3
I33	H415030140	Screw	4	4	GB/T70.1 M3×14
I34	HD42718001	Base for electric eye (left)	1	1	
I34	HD43218001	Base for electric eye (right)	1	1	
I35	HD42818001	Electric eye	2	2	LR89-031R
I36	HD42918001	Pin for electric eye	2	2	
I37	HD41418001	Upper thread releaser	1	1	
I38	H003008040	Nut	2	2	GB/T6172.1 M4
I39	HD40618001	Bolt	1	1	
I40	H4715B8001	Rubber plug	2	2	φ13
I41	HD40518001	Face plate	1	1	

# J.MAIN CLAMP MECHANISM



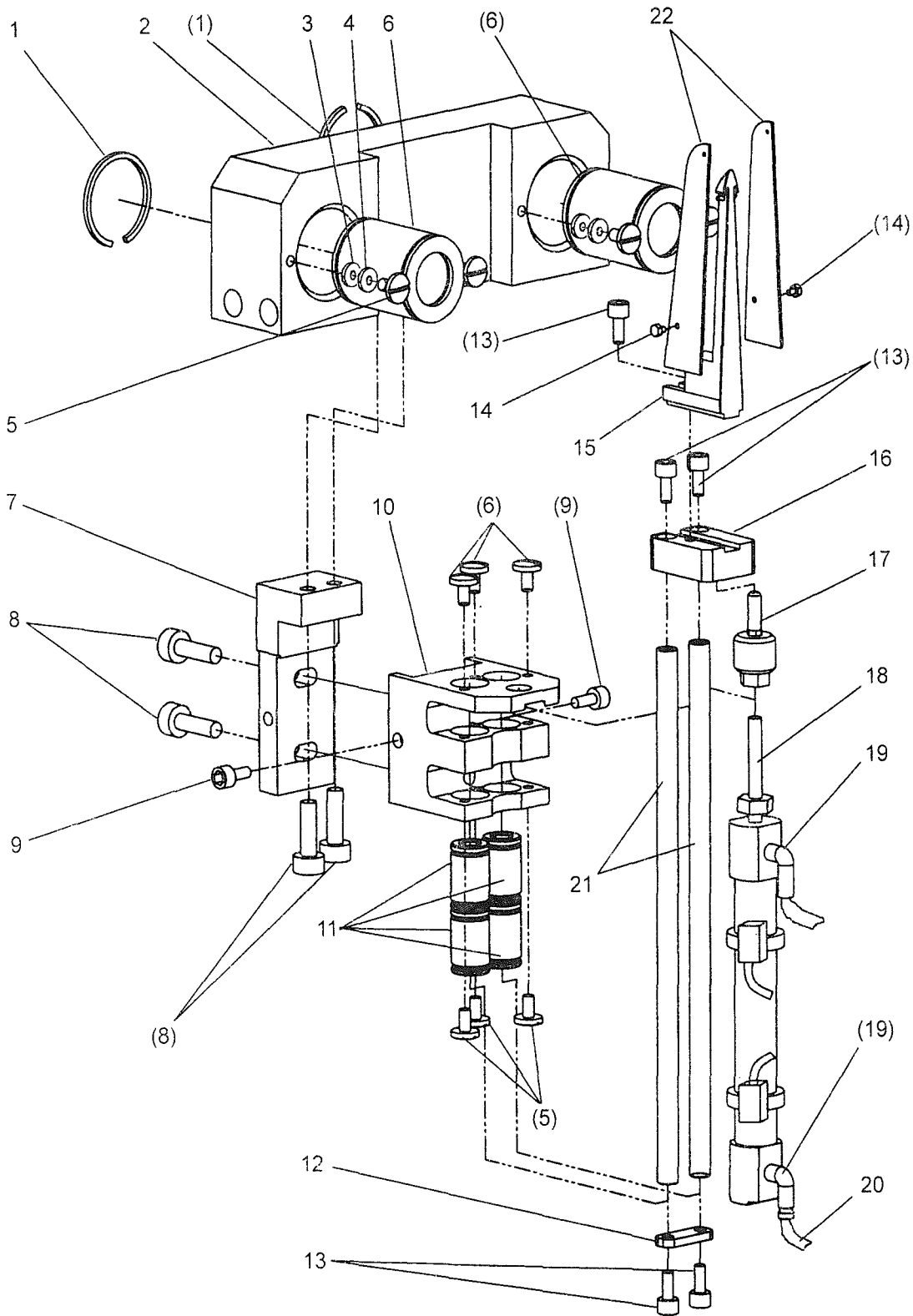
# J.MAIN CLAMP MECHANISM

Fig. No.	Part No.	Description	HL Y-18B	HL Y-18M	Remarks
J01	H415100450	Screw	4	4	GB/T70.1 M10×45
J02	H003002060	Nut	10	10	GB/T6170 M6
J03	H102060450	Bolt	2	2	GB/T5781 M6×45
J04	H415050160	Screw	8	8	GB/T70.1 M5×16
J05	HD405J8001	Vibration stopper	2	2	
J06	HD406J8001	Bearing	2	2	NTN FF2025ZW
J07	HD407J8001	Nut	2	2	M12
J08	HD408J8001	Screw	2	2	M12×35
J09	HD409J8001	Nylon nut	6	6	M6
J10	HD410J8001	Set plate for Air cylinder	4	4	
J11	HD411J8001	Ball joint	2	2	PHSA8
J12	HD412J8001	Spring	2	2	9-12mm
J13	HA712N6912	Screw	8	8	1/8"(44)×7
J14	H4918L8001	Screw	6	6	M5
J15	HD414J8001	Holder	4	4	
J16	HD415J8001	Set plate(left)	1	1	
J16	HD416J8001	Set plate(right)	1	1	
J17	H005001060	Washer	4	4	GB/T97.1 6
J18	H005008060	Spring washer	4	4	GB/T93 6
J19	H003045060	Nut	4	4	GB/T923 M6
J20	H415050250	Screw	2	2	GB/T70.1 M5×25
J21	HD417J8001	Shaft	4	4	9-12mm
J22	HD418J8001	Base	2	2	
J23	H415040100	Screw	18	18	GB/T70.1 M4×10
J24	HD419J8001	Screw	4	4	M4×5
J25	HD420J8001	Guide plate 1	1	1	
J25	HD421J8001	Guide plate 2	1	1	
J26	H411040060	Screw	4	4	GB/T819.1 M4×6
J27	HD422J8001	Plate(left)	1	1	9-12mm
J27	HD423J8001	Plate(right)	1	1	9-12mm
J28	HD478J8001	Reflective tape	2	2	
J29	H4913J8001	Screw	4	4	9/64"(40)×4.5
J30	HD424J8001	Guide(left)(for folder brade)	1	1	9-12mm
J30	HD425J8001	Guide(right)(for folder brade)	1	1	9-12mm
J31	HD428J7101	Folder brade complete	2	2	9-12mm
J32	HD434J8001	Main clamp(left)	1	1	9-12mm
J32	HD435J8001	Main clamp(right)	1	1	9-12mm
J33	HD438J8001	Rubber	2	2	3mm
J34	HD442J8001	Pin	2	2	9-12mm
J35	HD444J8001	Spacer	2	2	0.5-12mm
J36	H415060400	Screw	4	4	GB/T70.1 M6×40
J37	HD445J8001	Rubber(for flap clamp)	2	2	
J38	HD446J8001	Flap clamp(left)	1	1	10mm

# J.MAIN CLAMP MECHANISM

Fig. No.	Part No.	Description	HL Y-18B	HL Y-18M	Remarks
J38	HD447J8001	Flap clamp(right)	1	1	10mm
J39	HD468J8001	Nylon nut	4	4	6
J40	HD448J8001	Pin	4	4	
J41	HD449J8001	Thrust bearing	4	4	T-1680
J42	HD450J8001	Base(left)(for flap clamp)	1	1	
J42	HD451J8001	Base(right)(for flap clamp)	1	1	
J43	HD452J8001	Base(left)(for Fig J42)	1	1	
J43	HD453J8001	Base(right)(for Fig J42)	1	1	
J44	H415040060	Screw	2	2	GB/T70.1 M4×6
J45	HD454J8001	Spring	2	2	
J46	HD455J8001	Set plate	2	2	
J47	HD457J8001	Pin screw	2	2	
J48	HD458J8001	Set plate	2	2	9-12mm
J49	H003002040	Nut	2	2	GB/T6170 M4
J50	H415040200	Screw	2	2	GB/T70.1 M4×20
J51	HD460J8001	Arm (left)	1	1	
J51	HD461J8001	Arm (right)	1	1	
J52	H003008120	Nut	2	2	GB/T6172.1 M12
J53	H003002120	Nut	2	2	GB/T6170 M12
J54	HD409H8001	Bearing	4	4	AXK1102、AS1102
J55	HD464J8001	Arm base (left)	1	1	
J55	HD465J8001	Arm base (right)	1	1	
J56	HD466J8001	Set pin	2	2	
J57	H431060060	Screw	2	2	
J58	HD467J8001	Set plate	2	2	
J59	HD469J8001	Base(left)(for folder brade)	1	1	
J59	HD470J8001	Base(right)(for folder brade)	1	1	
J60	HD471J8001	Air cylinder	2	2	SPD-20-25-E-T0606A
J61	HD477J8001	Speed control valve	4	4	JSS6-M5A
J62	HD417B8001	Tube	6	6	TU0604B-100
J63	HD420E8001	Tube	2	2	TU0425B-100
J64	HD475J8001	Joint	6	6	M-5H-6
J65	HD423E8001	Joint	6	6	KJH04-M5
J66	HD474J8001	Shaft-type valve 3V	4	4	
J67	HD472J8001	Air cylinder	2	2	MF20-ND×20
J68	HD473J8001	Air cylinder	2	2	CA03-16-NFS-23-P-T3604
J69	HD476J8001	Speed control valve	2	2	JSU4
J70	H7258B8001	Nut	10	10	1/8(44)
J71	HD462J8001	Small arm	2	2	

# K.TAB KNIFE MECHANISM

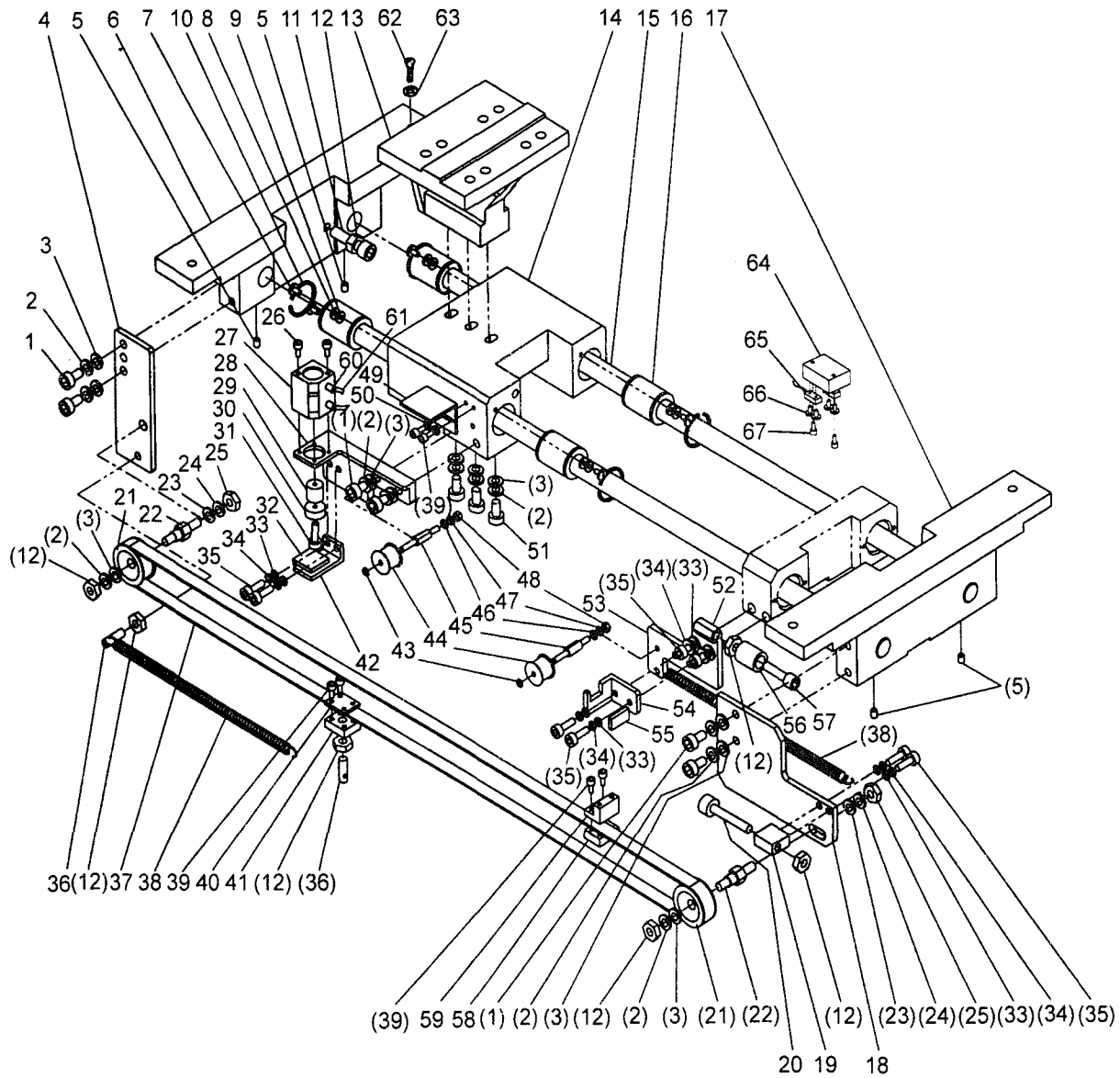


# K.TAB KNIFE MECHANISM

Fig. No.	Part No.	Description	HLV-18B	HLV-18M	Remarks
K01	H007009320	E-type retaining ring	2	2	GB/T894.1 32
K02	HD406K7101	Moving base	1	1	
K03	H005001040	Washer	10	10	GB/T97.1 4
K04	H005008040	Spring washer	10	10	GB/T93 4
K05	H409040100	Screw	10	10	GB/T818 M4×10
K06	HD407K8001	Bearing	2	2	LM 20UU
K07	HD420K8001	Set base	2	2	
K08	H415060200	Screw	4	4	GB/T70.1 M6×20
K09	H415050140	Screw	4	4	GB/T70.1 M5×14
K10	HD411K8001	Set plate	2	2	
K11	HD412K8001	Bearing	4	4	LM 8UU
K12	HD418K8001	Support plate	2	2	
K13	H415040100	Screw	10	10	GB/T70.1 M4×10
K14	H4915J8001	Screw	4	4	3/32"(56)×3.8
K15	HD431K7101	Tab knife base	2	2	
K16	HD408K8001	Cap ring	2	2	
K17	HD409K8001	Move holder	2	2	
K18	HD413K8001	Air cylinder(fastness)	1	1	CDJ2B16-100-C73
K18	HD414K8001	Air cylinder(move)	1	1	CDJ2B16-100-C73S
K19	HD418E8001	Speed control valve	4	4	AS1201F-M5-04
K20	HD420E8001	Tube	4	4	TU0425B-100
K21	HD417K8001	Shaft	4	4	
K22	HD428K8001	Tab knife(left)	2	2	
K22	HD429K8001	Tab knife(right)	2	2	



# L.MAIN CLAMP MOVING MECHANISM(1)



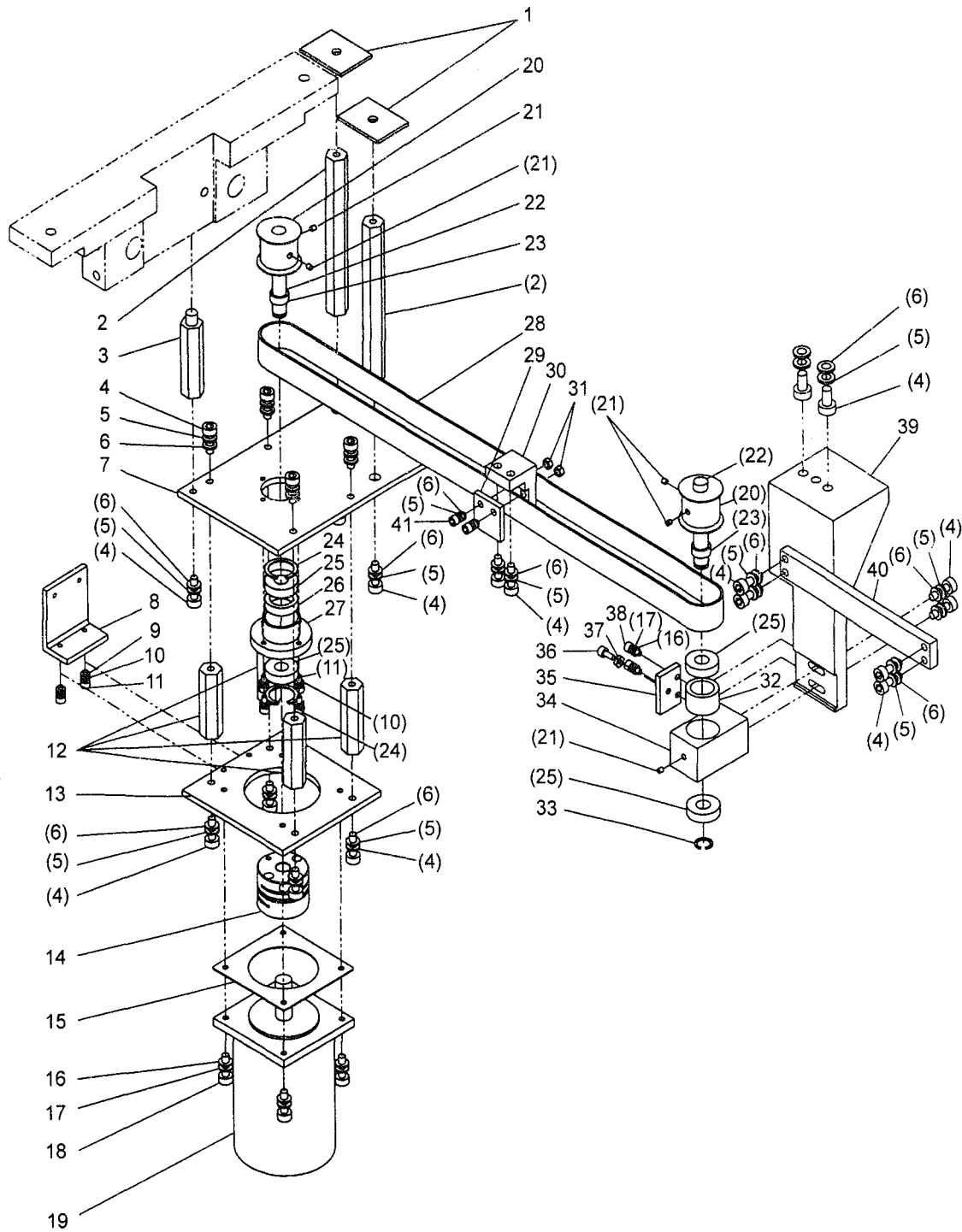
# L.MAIN CLAMP MOVING MECHANISM(1)

Fig. No.	Part No.	Description	HL Y-18B	HL Y-18M	Remarks
L01	H415080200	Screw	6	6	GB/T70.1 M8×20
L02	H005008080	Spring washer	22	22	GB/T93 8
L03	H005001080	Washer	22	22	GB/T97.1 8
L04	HD426L8001	Set plate(back)	1	1	
L05	H431060080	Screw	4	4	GB/T80 M6×8
L06	HD409L8001	Base(back)	1	1	
L07	H409040100	Screw	8	8	GB/T818 M4×10
L08	H005001040	Washer	8	8	GB/T97.1 4
L09	H005008040	Spring washer	8	8	GB/T93 4
L10	H007009320	E-type retaining ring	4	4	GB/T894.1 32
L11	H102080400	Bolt	1	1	GB/T5781 M8×40
L12	H003002080	Nut	19	19	GB/T6170 M8
L13	HD411L7101	Set base	1	1	
L14	HD414L7101	Moving base for main clamp	1	1	
L15	HD410L8001	Shaft	2	2	
L16	HD407K8001	Bearing	4	4	LM 20UU
L17	HD408L8001	Base(front)	1	1	
L18	HD440L8001	Set plate(front)	1	1	
L19	HD441L8001	Set plate	1	1	
L20	HD442L8001	Stopper 2	1	1	UNST8-50
L21	HD429L8001	Cog belt ring	2	2	TPBSN38-15
L22	HD428L8001	Link	2	2	
L23	H005008100	Spring washer	2	2	GB/T93 10
L24	H005001100	Washer	2	2	GB/T97.1 10
L25	H003002100	Nut	2	2	GB/T6170 M10
L26	H415030450	Screw	2	2	GB/T70.1 M3×45
L27	HD420L8001	Air cylinder	1	1	CDQ2B16-10D-A73S
L28	HD436L8001	Set plate	1	1	
L29	HD419L8001	Space	1	1	
L30	HD418L8001	Stopper 1	1	1	UPWH4-8
L31	H415040250	Screw	1	1	GB/T70.1 M4×25
L32	HD484L8001	Washer	1	1	
L33	H005001060	Washer	4	4	GB/T97.1 6
L34	H005008060	Spring washer	4	4	GB/T93 6
L35	H415060160	Screw	4	4	GB/T70.1 M6×16
L36	HD427L8001	Spring holder	2	2	
L37	HD431L8001	Cog belt	1	1	670 X1.050
L38	HD430L8001	Spring	2	2	
L39	H415040120	Screw	6	6	GB/T70.1 M4×12
L40	HD433L8001	Splint 2	1	1	
L41	HD432L8001	Splint 1	2	2	
L42	HD417L8001	Plate 1	1	1	
L43	H007009050	E-type retaining ring	2	2	GB/T894.1 5

# L.MAIN CLAMP MOVING MECHANISM(1)

Fig. No.	Part No.	Description	HLY-18B	HLY-18M	Remarks
L44	HD480L7101	Idler wheel complete	2	2	
L45	HD422L8001	Screw shaft	2	2	
L46	H005001050	Washer	2	2	GB/T97.1 5
L47	H005008050	Spring washer	2	2	GB/T93 5
L48	H003002050	Nut	2	2	GB/T6170 M5
L49	HD415L8001	Detector plate	1	1	
L50	H005001040	Washer	6	6	GB/T97.1 4
L51	H415080350	Screw	3	3	GB/T70.1 M8×35
L52	HD438L8001	Moving base	1	1	
L53	HD439L8001	Long nut	1	1	
L54	HD424L8001	Plate 2	1	1	
L55	HD488L8001	Stopper	1	1	
L56	HD425L8001	Damp stopper	1	1	
L57	H102080650	Bolt	1	1	GB/T5781 M8×65
L58	HD434L8001	Splint 3	1	1	
L59	HD435L8001	Splint 4	2	2	
L60	HD406G8001	Joint	2	2	KJL04-M5
L61	HD420E8001	Tube	2	2	TU0425B-100
L62	H417080700	Screw	12	12	GB/T70.3 M8×70
L63	HD406L8001	Washer	12	12	
L64	HD445L8001	Bracket for inductor	1	1	
L65	HD444L8001	Inductor	2	2	E2S-W23-1M
L66	H409030060	Screw	4	4	GB/T818 M3×6
L67	H801030200	Screw	2	2	GB/T99 3×20

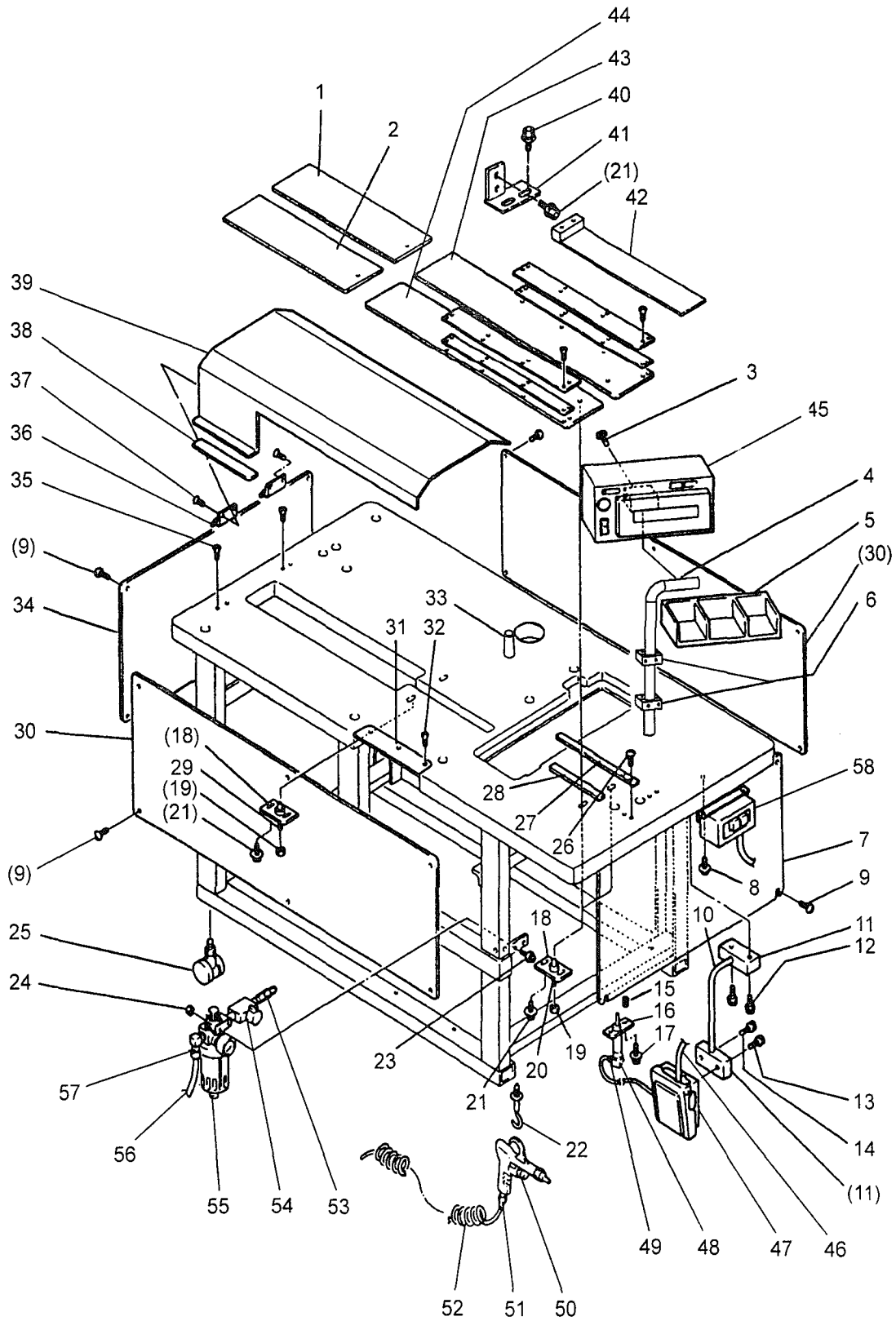
# M.MAIN CLAMP MOVING MECHANISM(2)



## M.MAIN CLAMP MOVING MECHANISM(2)

Fig. No.	Part No.	Description	HLY-18B	HLY-18M	Remarks
M01	HD464L8001	Spacer	2	2	
M02	HD457L8001	Set stick 2	2	2	
M03	HD453L8001	Link	1	1	
M04	H415060200	Screw	20	20	GB/T70.1 M6×20
M05	H005008060	Spring washer	21	21	GB/T93 6
M06	H005001060	Washer	21	21	GB/T97.1 6
M07	HD455L8001	Bracket for bearing	1	1	
M08	HD475L8001	Stopper for step motor	1	1	
M09	H005001040	Washer	2	2	GB/T97.1 4
M10	H005008040	Spring washer	6	6	GB/T93 4
M11	H415040140	Screw	6	6	GB/T70.1 M4×14
M12	HD456L8001	Set stick 1	4	4	
M13	HD454L8001	Base for step motor	1	1	
M14	HD479L7101	linker complete	1	1	
M15	HD451L8001	Washer	1	1	
M16	H005001050	Washer	5	5	GB/T97.1 5
M17	H005008050	Spring washer	5	5	GB/T93 5
M18	H415050160	Screw	4	4	GB/T70.1 M5×16
M19	HD450L8001	Step motor	1	1	BP13F853S
M20	HD462L8001	Pulley	2	2	20P5M
M21	H431050060	Screw	5	5	GB/T80 M5×6
M22	HD461L8001	Axle	2	2	
M23	HD463L8001	Washer	2	2	
M24	H007007280	E-type retaining ring	2	2	GB/T893.1 28
M25	HD470L8001	Bearing	4	4	NTN 6001ZZ
M26	HD469L8001	Spacer 1	1	1	
M27	HD460L8001	Base for bearing	1	1	
M28	HD452L8001	Convection strap	1	1	1125P5M25
M29	HD466L8001	Set plate	1	1	
M30	HD465L8001	Spacer	1	1	
M31	H003002060	Nut	2	2	GB/T6170 M6
M32	HD469L.8002	Spacer 2	1	1	
M33	H007009120	E-type retaining ring	1	1	GB/T894.1 12
M34	HD468L8001	Base for bearing	1	1	
M35	HD474L8001	Adjust plate	1	1	
M36	H102050300	Bolt	1	1	GB/T5781 M5×30
M37	H003002050	Nut	1	1	GB/T6170 M5
M38	H415050120	Screw	2	2	GB/T70.1 M5×12
M39	HD472L.8001	Set base	1	1	
M40	HD483L8001	Support plate	1	1	
M41	H415060250	Screw	2	2	GB/T70.1 M6×25

# N.TABLE\*STAND MECHANISM



## N.TABLE\*STAND MECHANISM

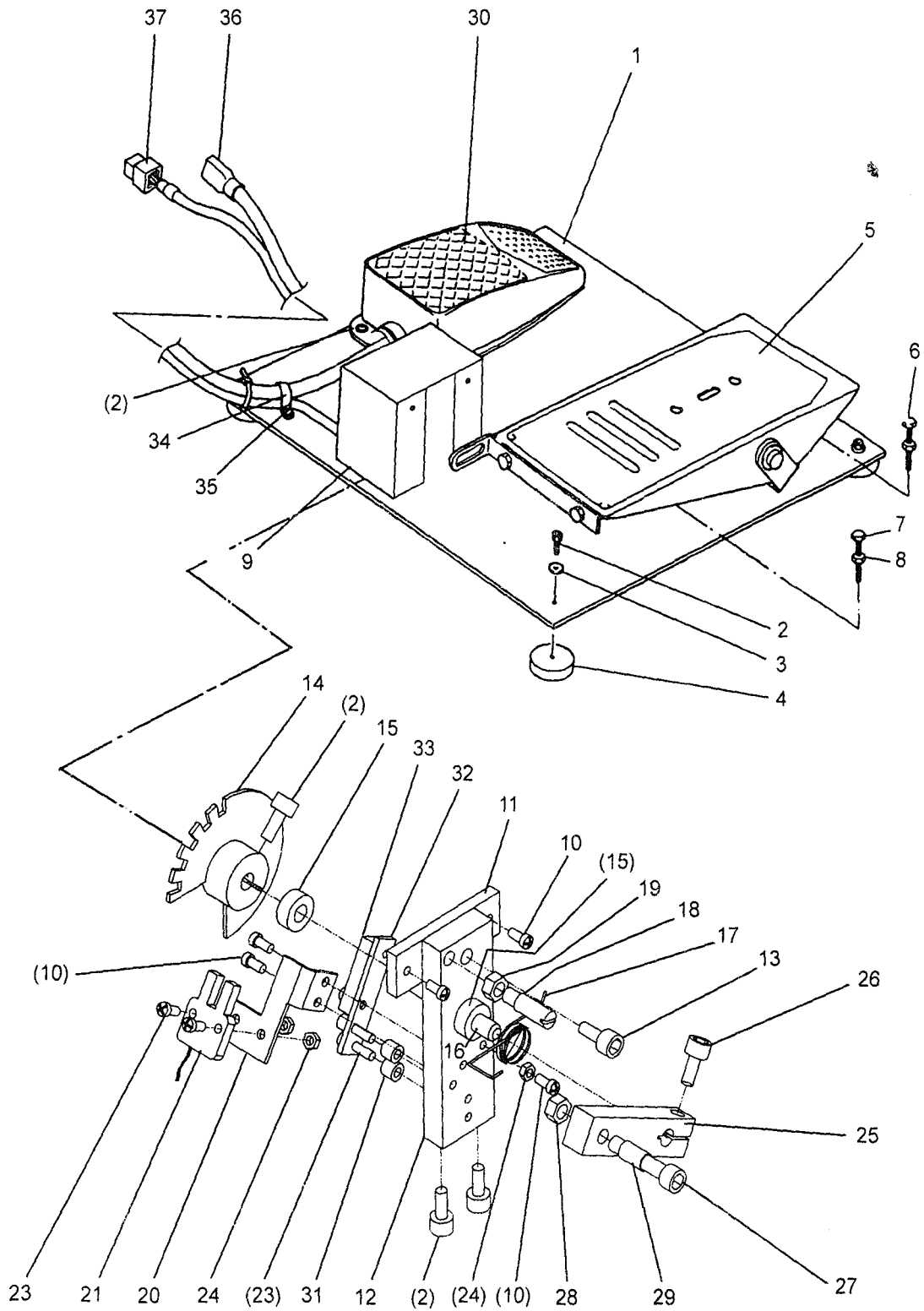
Fig. No.	Part No.	Description	HL Y-18B	HL Y-18M	Remarks
N01	HD408M7101	Slide plate(right)	1	1	
N02	HD405M7101	Slide plate(left)	1	1	
N03	H415060180	Screw	10	10	GB/T70.1 M6×18
N04	HD412M8001	Base for operation box	1	1	
N05	HD413M8001	Cloth support disk	1	1	
N06	HD411M8001	Set plate	3	3	
N07	HD414M8001	Cover(front)	1	1	
N08	H804040200	Screw	2	2	GB/T950 M4×20
N09	H409040080	Screw	20	20	GB/T818 M4×8
N10	HD418M8001	Bar	1	1	
N11	HD419M8001	Set plate	2	2	
N12	H804060400	Screw	2	2	GB/T950 M6×40
N13	H415050250	Screw	2	2	GB/T70.1 M5×25
N14	H415050100	Screw	1	1	GB/T70.1 M5×10
N15	HD414J8001	Holder	1	1	
N16	HD420M8001	Set plate (for cylinder)	1	1	
N17	H415040160	Screw	2	2	GB/T70.1 M4×16
N18	HD421M8001	Set plate	4	4	
N19	H003002060	Nut	4	4	GB/T6170 M6
N20	HD422M8001	Pin screw(front)	2	2	
N21	H415050160	Screw	8	8	GB/T70.1 M5×16
N23	H415060200	Screw	2	2	GB/T70.1 M6×20
N24	H003002060	Nut	2	2	GB/T6170 M6
N25		Truckle	4	4	
N26	H402040120	Screw	2	2	GB/T67 M4×12
N27	HD425M8001	Spring	1	1	
N28	HD427M8001	Spring	1	1	
N29	HD423M8001	Pin screw(back)	2	2	
N30	HD417M8001	Cover(right)	2	2	
N31	HD428M8001	Support plate	1	1	
N32	H411040140	Screw	3	3	GB/T819.1 M4×14
N33		Supporter	1	1	
N34	HD415M8001	Cover(back)	1	1	
N35	H805030180	Screw	4	4	GB/T951 M3×18
N36	HD429M8001	Hinge	2	2	
N37	H411040100	Screw	4	4	GB/T819.1 M4×10
N38	HD430M8001	Rubber	2	2	
N39	HD431M8001	Cover(upper)	1	1	
N40	H415040100	Screw	4	4	GB/T70.1 M4×10
N41	HD432M8001	Base(left)	1	1	
N41	HD433M8001	Base(right)	1	1	
N42	HD442M7101	Lower plate(left)	1	1	
N42	HD443M7101	Lower plate(right)	1	1	

## N.TABLE\*STAND MECHANISM

Fig. No.	Part No.	Description	HLY-18B	HLY-18M	Remarks
N43	HD440M7101	Slide plate(right)	1	1	
N44	HD436M8001	Slide plate(left)	1	1	
N45	HD405N7101	Operation box Complete	1	1	
N46	HD417B8001	Tube	2	2	TU0604B-100
N48	HD444M8001	Air cylinder	1	1	CJ2B16-5SR
N49	HD475J8001	Joint	1	1	M-5H-6
N53	HD449M8001	Joint	1	1	KQ2ZD08-02S
N54	HD448M8001	Exhaust valve	1	1	AMG250-02
N55	HD447M8001	Filter with regulator	1	1	AW30-02BE
N56	HD444O8001	Tube	1	1	TU0805B-100
N57	HD445M8001	Joint	1	1	VHK3-08F-02S
N58	HD451M7101	Switch assembly	1	1	



# O.FOOT PEDAL MECHANISM

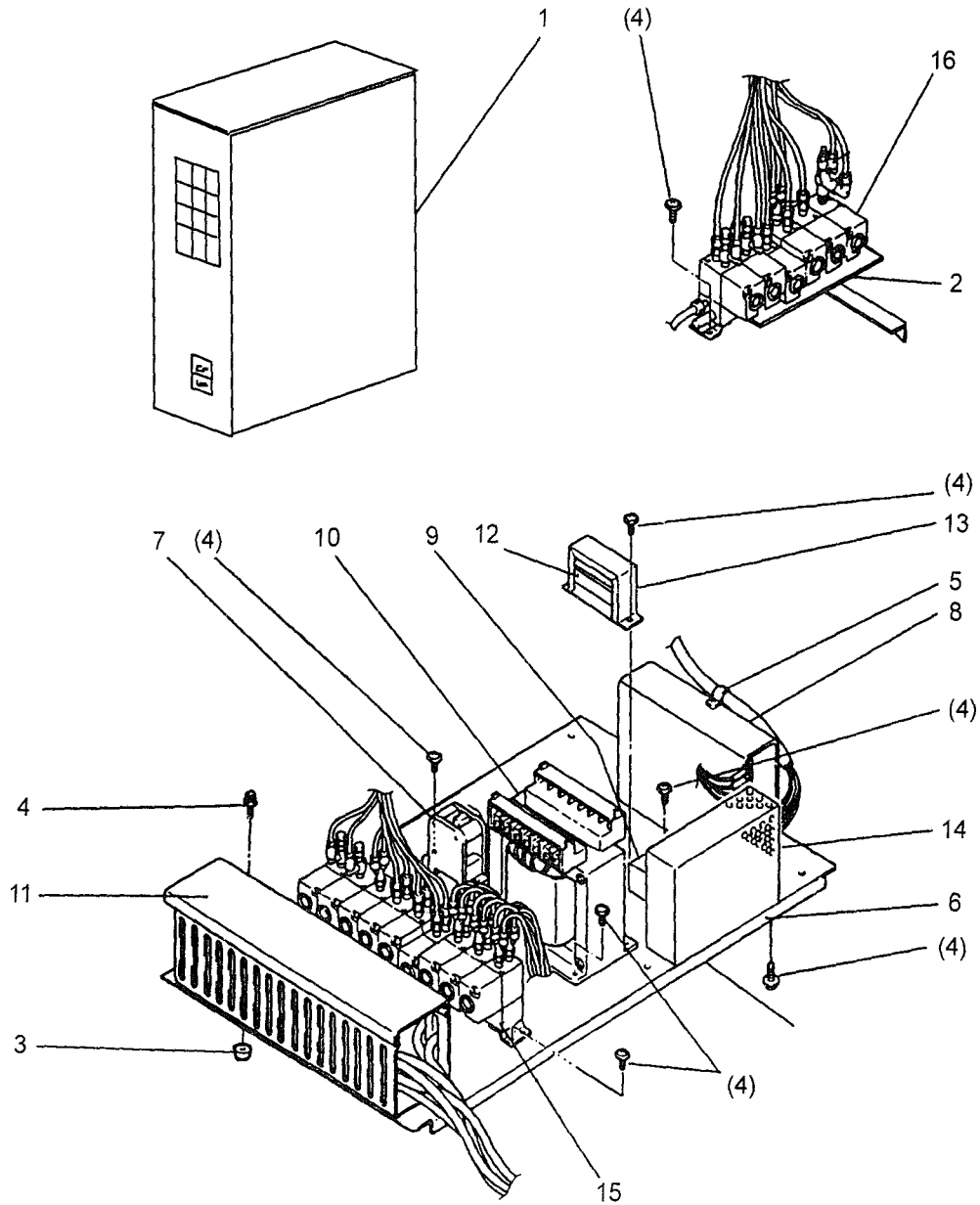


## O.FOOT PEDAL MECHANISM

Fig. No.	Part No.	Description	HL Y-18B	HL Y-18M	Remarks
O01	HD453M8001	Base plate	1	1	
O02	H415040120	Screw	9	9	GB/T70.1 M4×12
O03	H005001040	Washer	9	9	GB/T97.1 4
O04	HD43FM8001	Rubber	4	4	
O05		Foot pedal complete	1	1	
O06	H102080300	Bolt	1	1	GB/T5781 M8×30
O07	H102080350	Bolt	1	1	GB/T5781 M8×35
O08	H003002080	Nut	2	2	GB/T6170 M8
O09	HD455M8001	Circuit board	1	1	
O10	HA7221P508	Screw	5	5	M3×5.5
O11	HD456M8001	Support plate	1	1	
O12	HD457M8001	Support	1	1	
O13	H415050080	Screw	1	1	GB/T70.1 M5×8
O14	HD459M7101	Detector plate	1	1	
O15	HD463M8001	Bearing	2	2	
O16	HD462M8001	Pin	1	1	
O17	HD464M8001	Spring	1	1	
O18	HD465M8001	Screw	1	1	
O19	H003002050	Nut	1	1	GB/T6170 M5
O20	HD467M8001	Splint for controllar	1	1	
O21	HD468M8001	Sensor	2	2	EE-SX770A-2m
O23	H409030140	Screw	4	4	GB/T818 M3×14
O24	H003002030	Nut	3	3	GB/T6170 M3
O25	HD469M8001	Arm	1	1	
O26	H415050140	Screw	1	1	GB/T70.1 M5×14
O27	H415050250	Screw	1	1	GB/T70.1 M5×25
O28	H003002050	Nut	1	1	GB/T6170 M5
O29	HD470M8001	Washer	1	1	
O30	HD471M8001	Switch for start	1	1	SF-1
O31	HD43DM8001	Washer	2	2	
O32	HD43EM8001	Small bracket	1	1	
O33	HD454M8001	Sensor	1	1	E2S-W11
O34	HA300I2040	Nylon belt	2	2	NK-6N
O35	H409040080	Screw	2	2	GB/T818 M4×8
O36	HD41GM8001	Connector	1	1	3191-02R1
O37	HD411M8001	Connector	1	1	3191-06R1

# P.PNEUMATIC\*CONTROL MECHANISM

---

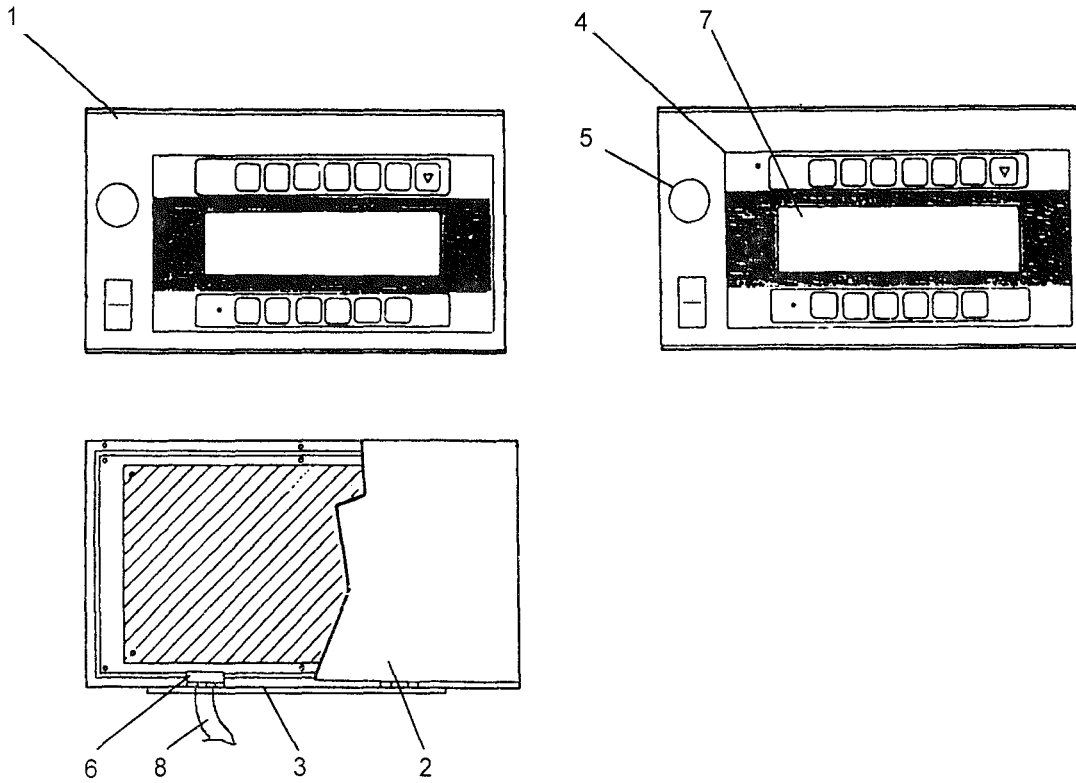


## P.PNEUMATIC\*CONTROL MECHANISM

Fig. No.	Part No.	Description	HLY-18B	HLY-18M	Remarks
P01	HD45HM8001	Control box	1	1	HVP-70-4-H3
P02	HD44DM8001	Solenoid valve	1	1	
P03	HD43FM8001	Rubber	4	4	
P04	H409040140	Screw	30	30	GB/T818 M4×14
P05	HA700Q0050	Nylon belt	1	1	HP-8N
P06	HD474M8001	Base	1	1	
P07	HD475M8001	Power supply	1	1	LEP1005 (AC100V-DC5V)
P08	HD476M8001	Driver	1	1	BP13F853S
P09	HD477M8001	Noise filter	1	1	ZAG2210-11S
P10	HD478M8001	Transformer	1	1	YS-500E (200V-100V)
P11	HD479M8001	Trolley duct	1	1	40×45
P12	HD480M8001	Circuit protector	1	1	NRF110-5A
P13	HD481M8001	Base for circuit protector	1	1	NRF-M
P14	HD482M8001	Power supply	1	1	PS3N-E24A1N
P15	HD487M8001	Solenoid valve	1	1	SS5Y3-20-07
P16	HD488M8001	Solenoid valve	1	1	SS5Y3-20-05

# Q.OPERATION BOX MECHANISM

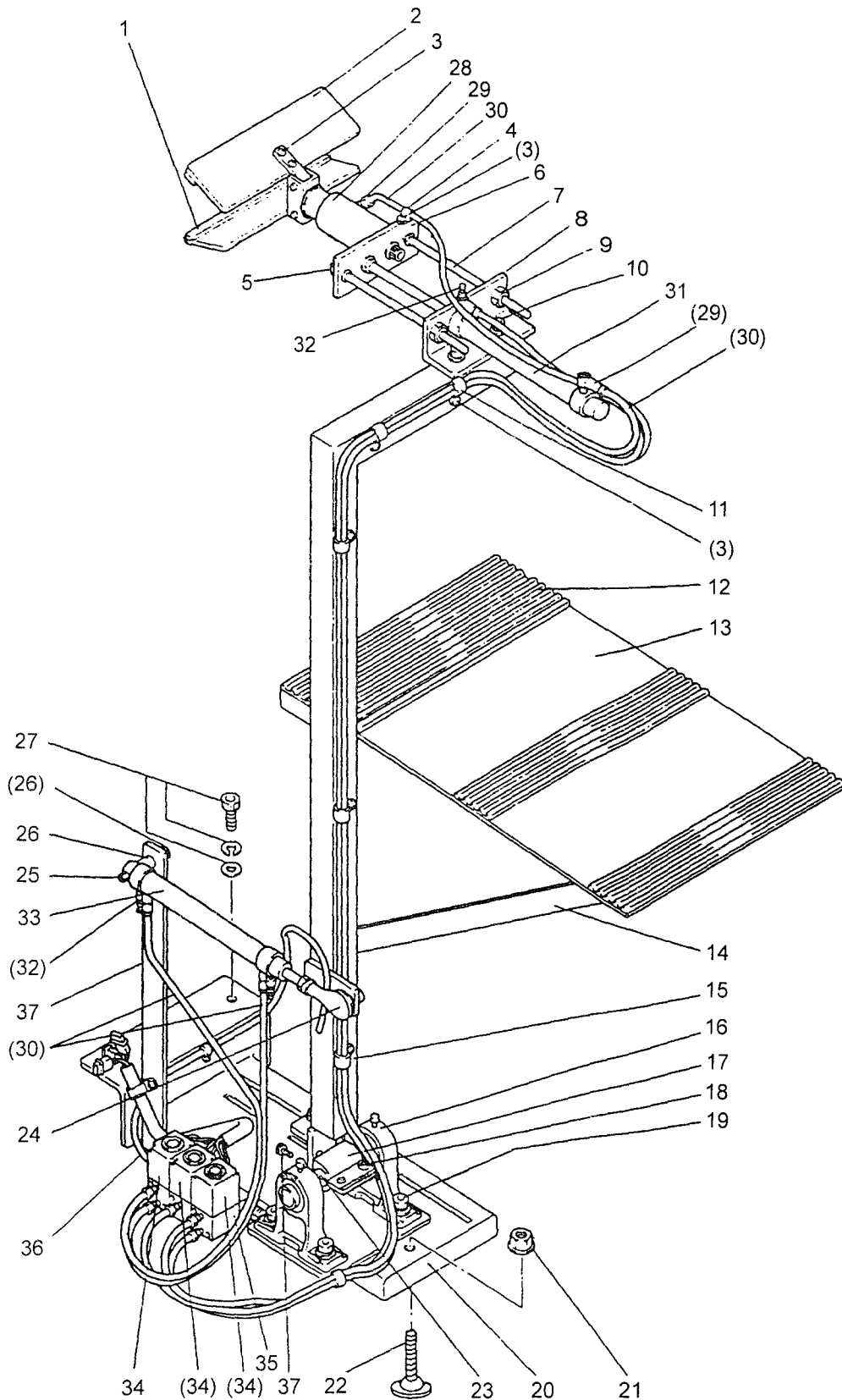
---



## Q.OPERATION BOX MECHANISM

Fig. No.	Part No.	Description	HLV-18B	HLV-18M	Remarks
Q01	HD406N7101	Operation box(front)	1	1	
Q02	HD409N7101	Operation box(back)	1	1	
Q03	HD411N8001	Plate(under)	1	1	
Q04	HD412N8001	Graphic operation terminal	1	1	F930GOT-BMD
Q05	HD413N8001	Emergency stop switch	1	1	AH165-2VR11
Q06	HD414N8001	Cable jacket	1	1	SR-8R3
Q07	HD416N8001	Screen cover sheet	1	1	F9GT-30PSC
Q08	HD417N8001	Connecting cable	1	1	FX50DU-CABO-1M

# R.STACKER MECHANISM



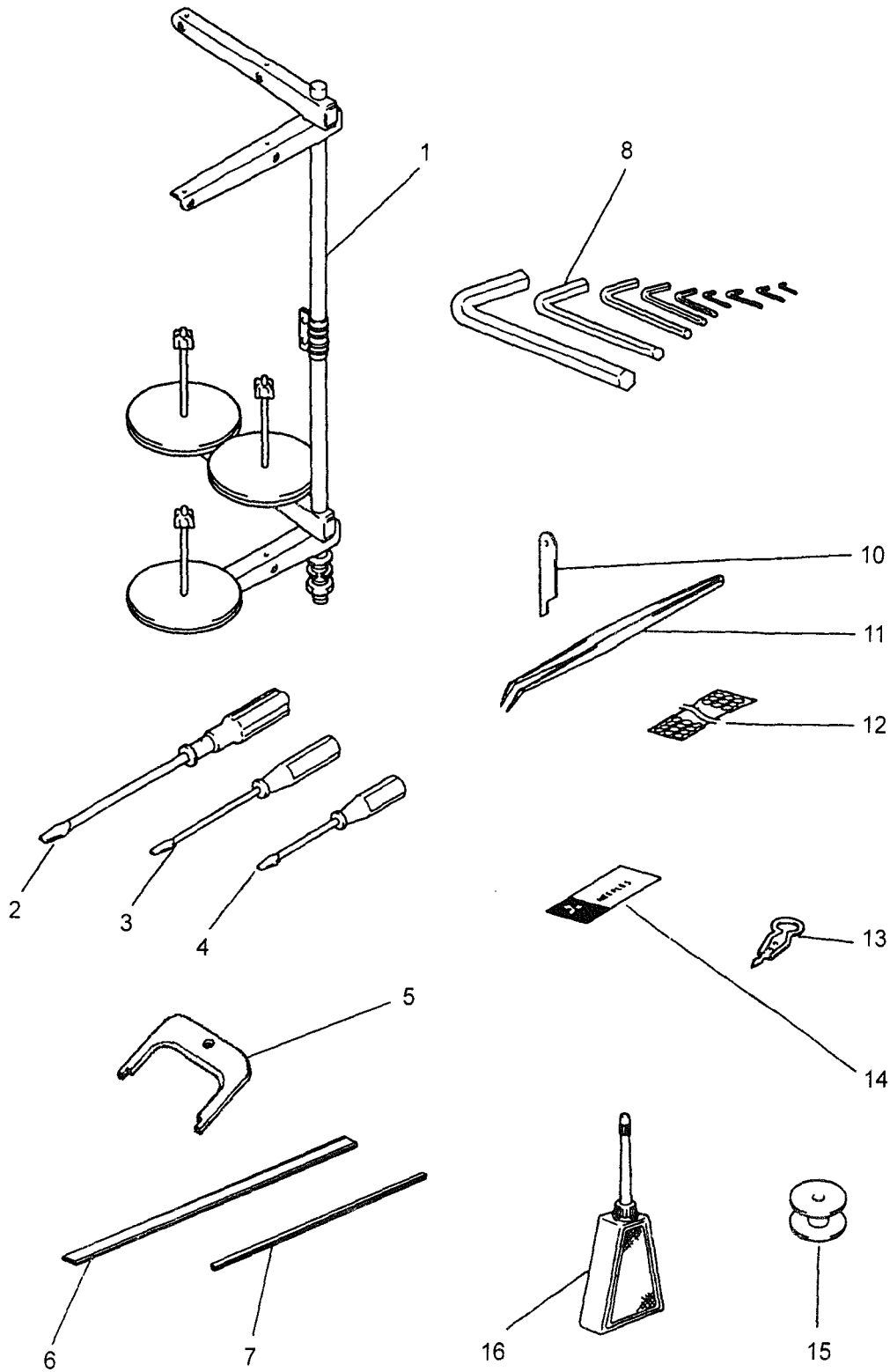
## R.STACKER MECHANISM

Fig. No.	Part No.	Description	HLY-18B	HLY-18M	Remarks
R01	HD438J8001	Sponge rubber	2	2	
R02	HD406O8001	Material holding plate	2	2	
R03	H409040100	Screw	17	17	GB/T818 M4×10
R04	HA700Q0030	Nylon clip	1	1	HP-5N
R05	H415040140	Screw	2	2	GB/T70.1 M4×14
R06	HD407O8001	Set plate (for cylinder)	1	1	
R07	HD408O8001	Guide shaft	2	2	
R08	HD409O8001	Base	1	1	
R09	HD410O8001	Bushing with nut	2	2	CSB-11F08150
R10	H415080200	Screw	2	2	GB/T70.1 M8×20
R11	HA700Q0050	Nylon clip	8	8	HP-8N
R12	HD411O8001	Rubber mat	4	4	
R13	HD412O7101	Material tray	1	1	
R14	HD419O8001	Bar	1	1	
R15	HD421O7101	Arm	1	1	
R16	HD425O8001	Bushing	2	2	UCPH204
R17	HD427O8001	Arm base	1	1	
R18	H415080160	Screw	2	2	GB/T70.1 M8×16
R19	H415080300	Screw	4	4	GB/T70.1 M8×30
R20	HD428O7101	Base	1	1	
R21	H003002100	Nut	1	1	GB/T6170 M10
R22	H103100100	Bolt	1	1	GB/T5782 M10×100
R23	HD436O8001	Shaft for arm	1	1	
R24	HD437O8001	Supporting	1	1	RBL-10D
R25	H415080400	Screw	1	1	GB/T70.1 M8×40
R26	H003002080	Nut	2	2	GB/T6170 M8
R27	H415080250	Screw	4	4	GB/T70.1 M8×25
R28	HD438O7101	Air cylinder	1	1	
R29	HD445O8001	Joint	2	2	KJL06-01S
R30	HD417B8001	Tube	5	5	TU0604B-100
R31	HD439O8001	Air cylinder	1	1	CM2B20-75
R32	HD410I8001	Speed control valve	3	3	AS2301F-01-06S
R33	HD440O8001	Air cylinder	1	1	CM2E25-120
R34	HD441O8001	Base for solenoid valve	1	1	SS5Y3-20-03
R35	HD486M8001	Solenoid valve	3	3	SY3120-5GS-C6
R36	HD444O8001	Tube	1	1	TU0805B-100
R37	HD435O8001	Set plate (for cylinder)	1	1	



# S.ACCESSORIES

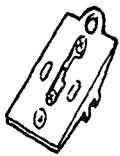
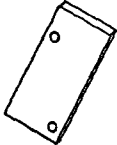




---






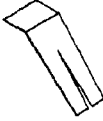

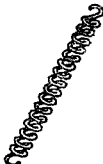
## S.ACCESSORIES

Fig. No.	Part No.	Description	HL Y-18B	HL Y-18M	Remarks
S01	H3200L0120	Cotton stand	1	1	
S02	HA300J2070	Screw driver(large)	1	1	
S03	HA100J2140	Screw driver(middle)	1	1	
S04	HA100J2150	Screw driver(small)	1	1	
S05	HB2258Q081	Adjust plate	1	1	
S06	HD438J8001	Rubber	2	2	
S07	HD445J8001	Rubber	2	2	
S08	HD411Q8001	Socket wrench set	1	1	2,2.5,3,4,5,6,8,10,12mm
S09	HD428K8001	Tab knife(left)	2	2	
S10	HD436E8001	Center knife	1	1	
S11	HE015M8001	Tweezer	1	1	
S12	HD478J8001	Reflective tape	2	2	
S13	H3207L0065	Thread a needle kit	1	1	
S14	HD410D8001	Needle	6	6	
S15	H4912I8001	Bobbin	4	4	
S16	H2004O0069	Oiler	1	1	

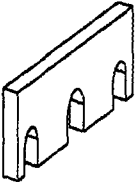
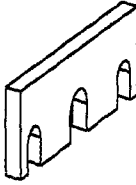
# Gauge Parts List

						
Gauge Size	Needle plate	Support plate	Needle clamp	Spring for upper thread	Pic-up for upper thread	Knife for upper thread
9mm	HD448B8001	HD439B8001	HD418D8001	HD413E8001	HD414E8001	HD410E8001
10mm	HD440B8001		HD412D8001			
12mm	HD449B8001		HD419D8001			
14mm	HD450B8001	HD444B8001	HD420D8001	HD413E8002	HD443E8001	HD410E8002
16mm	HD451B8001		HD421D8001			
18mm	HD452B8001	HD445B8001	HD422D8001	HD413E8003	HD444E8001	HD410E8003
20mm	HD453B8001		HD423D8001			
25.4mm	HD454B8001	HD446B8001	HD424D8001	HD413E8004	HD445E8001	HD410E8004
31.8mm	HD455B8001	HD447B8001	HD425D8001		HD446E8001	

						
Gauge Size	Double welt patch guide	Single welt patch guide	Small presser plate	Spring (for small presser)	Spacer for marking lamp	Spring
9mm	HD438H8002	HD439H8002	HD457H7101	HD430H8001	HD421I8001	HD412J8001
10mm	HD438H8001	HD439H8001	HD457H7102			
12mm	HD438H8003	HD443H8003	HD457H7103			
14mm	HD438H8004	HD443H8004	HD457H7104	HD430H8002	HD421I8002	HD412J8002
16mm	HD438H8005	HD443H8005	HD457H7105			
18mm	HD438H8006	HD443H8006	HD457H7106	HD430H8003	HD421I8003	HD412J8003
20mm	HD438H8007	HD443H8007	HD457H7107			
25.4mm	HD438H8008	HD443H8008	HD457H7108	HD430H8004	HD421I8003	HD412J8003
31.8mm	HD438H8009	HD443H8009	HD457H7109	HD430H8005		

<b>Gauge Size</b>	<b>Bracket</b>	<b>Plate(left)</b>	<b>Plate(right)</b>	<b>Folder brade complete(left)</b>	<b>Folder brade complete(right)</b>	<b>Set plate</b>
9mm	HD414J8001	HD422J8001	HD423J8001	HD428J7101	HD428J7101	HD458J8001
10mm						
12mm						
14mm	HD414J8002	HD481J8001	HD482J8001	HD431J7101	HD433J7101	HD458J8002
16mm						
18mm						
20mm						
25.4mm	HD414J8003	HD485J8001	HD486J8001	HD489J7101	HD490J7101	HD458J8003
31.8mm						
<b>Gauge Size</b>	<b>Main clamp(left)</b>	<b>Main clamp(right)</b>	<b>Pin</b>	<b>Flap clamp(left)</b>	<b>Flap clamp(right)</b>	<b>Tab knife base</b>
9mm	HD434J8001	HD435J8001	HD442J8001	HD446J8001	HD447J8001	HD436K7101
10mm						HD431K7101
12mm						HD432K7101
14mm	HD434J8002	HD435J8002	HD442J8002	HD446J8002	HD447J8002	HD433K7101
16mm						HD434K7101
18mm						HD435K7101
20mm						HD436K7101
25.4mm	HD434J8003	HD435J8003	HD442J8003	HD446J8003	HD447J8003	HD437K7101
31.8mm						HD438K7101

Size of spacer		Part. No.	Size of spacer		Part. No.
	0.5mm	HD444J8001		6mm	HD444J8007
	1mm	HD444J8002		7mm	HD444J8008
	2mm	HD444J8003		8mm	HD444J8009
	3mm	HD444J8004		9mm	HD444J8010
	4mm	HD444J8005		10mm	HD444J8011
	5mm	HD444J8006		12mm	HD444J8012

Gauge Size	Spacer table			
9mm	0.5mm × 1	3mm × 1	5mm × 1	9mm × 2
10mm	0.5mm × 1	3mm × 1	4mm × 1	8mm × 2
12mm	0.5mm × 1	1mm × 1	6mm × 2	4mm × 1
14mm	0.5mm × 1	5mm × 1	7mm × 1	9mm × 2
16mm	0.5mm × 1	6mm × 3	8mm × 2	
18mm	0.5mm × 1	3mm × 2	7mm × 1	9mm × 2
20mm	0.5mm × 1	8mm × 1	10mm × 2	





**SHANGHAI HUIGONG NO.3 SEWING MACHINE FACTORY**

**ADD: 1418, Yishan Road, Shanghai, China**

**Zip Code: 201103**

**Overseas Business: TEL: 86-21-64853303 FAX: 86-21-64854304**

**E-mail: [highlead@online.sh.cn](mailto:highlead@online.sh.cn) <http://www.highlead.com.cn>**

The description covered in this manual is subject to change for improvement of the commodity without notice

2004.11. Printed

From the library of: Superior Sewing Machine & Supply LLC